

A

B

C

D

E

F

A

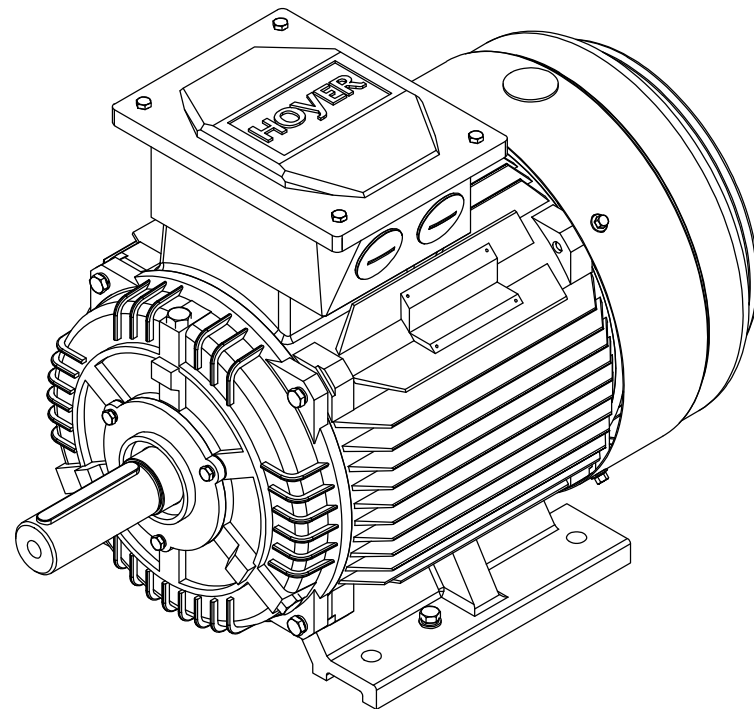
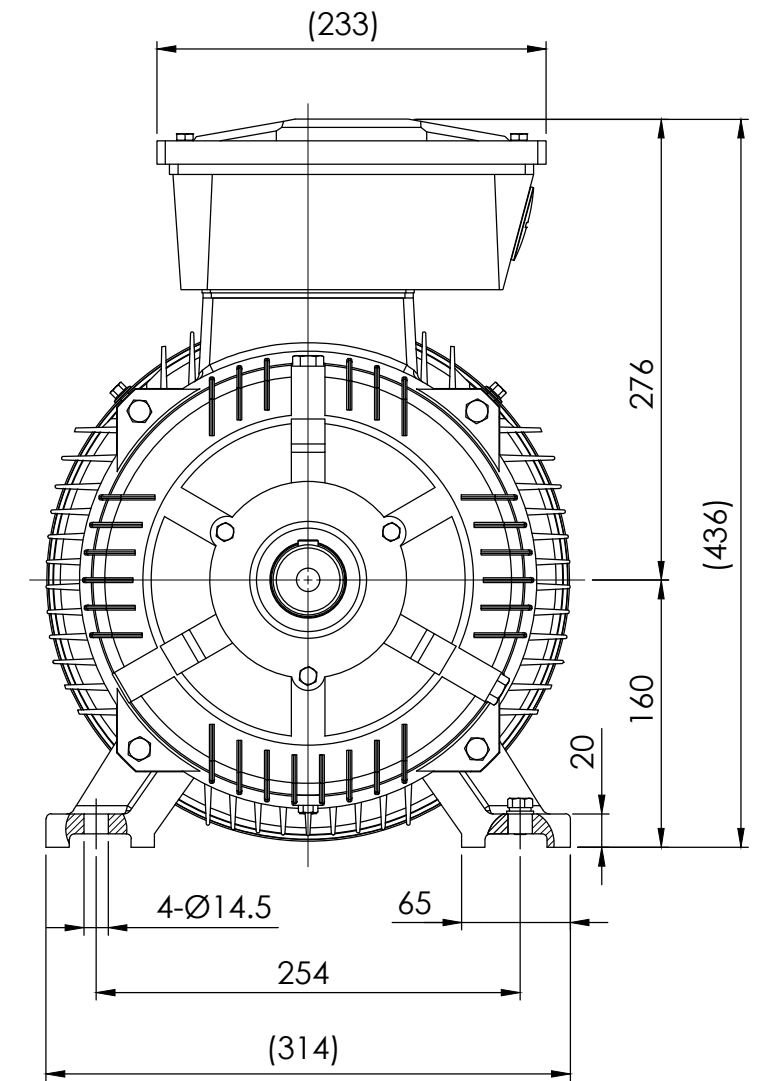
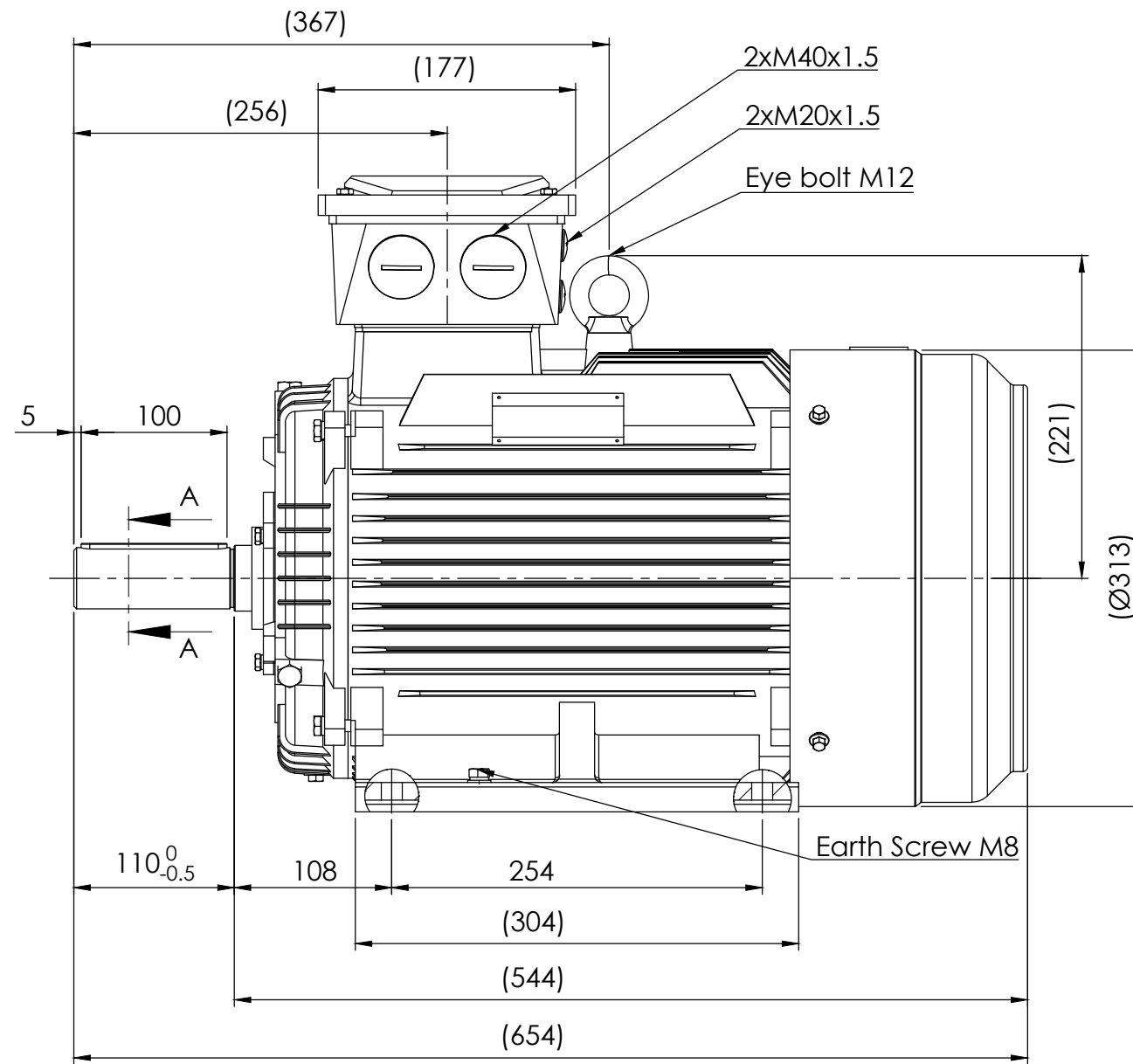
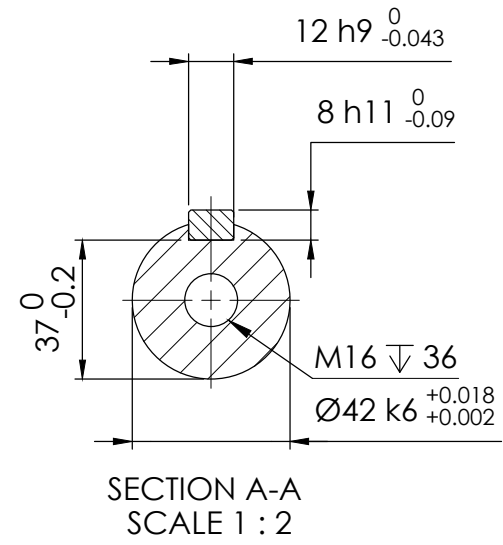
B

C

D



E

F



Note:

- 1.All dimensions are in mm
- 2.Tolerances not informed on the drawing according to the mounting tolerance table.

Mounting tolerance				Hoyer Motors			DEBUR AND BREAK SHARP EDGES	DRAWING NOT IN SCALE	
Dimensions range	Tolerance			Over Hadstenvej 42, DK-8370 Hadsten Tel : +45 86982111 Fax: +45 86981779 www.hoyermotors.com				OUTLINE DRAWING	
0<D≤400	±10	REV.	LOCATION	DESCRIPTION	DATE	RESP.	APPROVED	TITLE: HMC3-160L-6p-B3	
400<D≤1000	±20	0	N/A	First issued	23/09/2024	L&T	Hoyer		
1000<D≤2000	±30								
2000<D≤4000	±35								
4000<D≤8000	±40								
Unit: mm									
 Representation of the machine is illustrative only Some features may not be represented For installation or maintenance, consult operation manual		Protection:		IEC 60034-5	Machined Part:		ISO 2768	DWG NO.: TD-ID-D3457	
		Dimension:		IEC 60072	Weld Constr:		ISO 8015		
		Tolerance:		ISO 286	Castings:		ISO 8062		
		Key:		IEC 60072				A3	
					SCALE:1:10		Weight: 140 kg	SHEET 1 OF 1	