

1

2

3

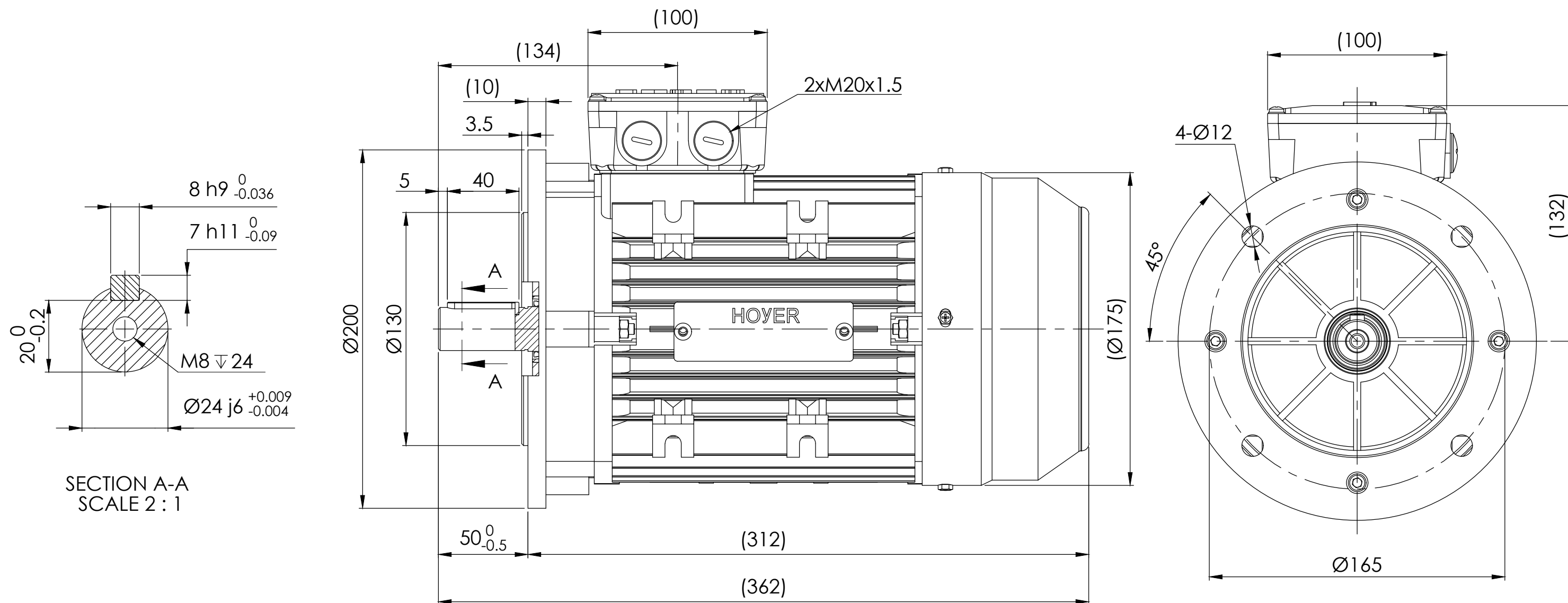
4

5

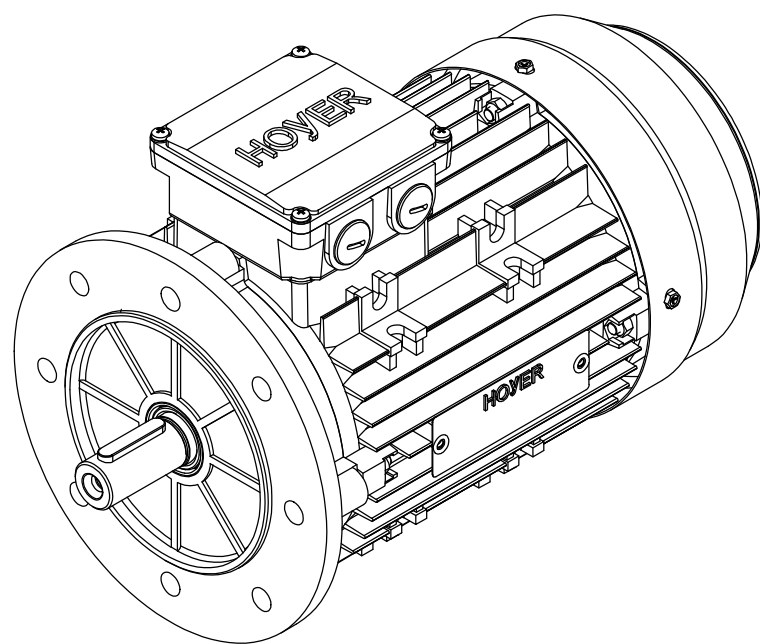
6

7

8





SECTION A-A  
SCALE 2 : 1



Note:

1. All dimensions are in mm
2. Tolerances not informed on the drawing according to the mounting tolerance table.

Mounting tolerance				Hoyer Motors			DEBUR AND BREAK SHARP EDGES		DRAWING NOT IN SCALE		
Dimensions range	Tolerance			REV.	LOCATION	DESCRIPTION	DATE	RESP.	APPROVED	OUTLINE DRAWING	
0<D≤400	±10	0	N/A	First issued	21/10/2024	L&T	Hoyer	TITLE: HMA3-90L-6p-B5			
400<D≤1000	±20							DWG NO.: TD-ID-D3637			
1000<D≤2000	±30							A3			
2000<D≤4000	±35							SCALE:1:5			
4000<D≤8000	±40							Weight: 20.4 kg			
Unit: mm								SHEET 1 OF 1			
				Representation of the machine is illustrative only		Protection: IEC 60034-5		Machined Part: ISO 2768			
				Some features may not be represented		Dimension: IEC 60072		Weld Constr: ISO 8015			
				For installation or maintenance, consult operation manual		Tolerance: ISO 286		Castings: ISO 8062			
						Key: IEC 60072					