

1

2

3

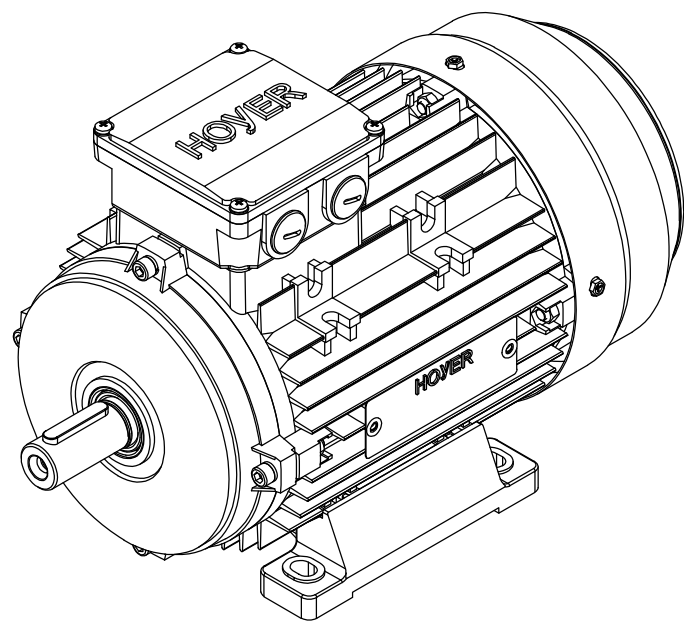
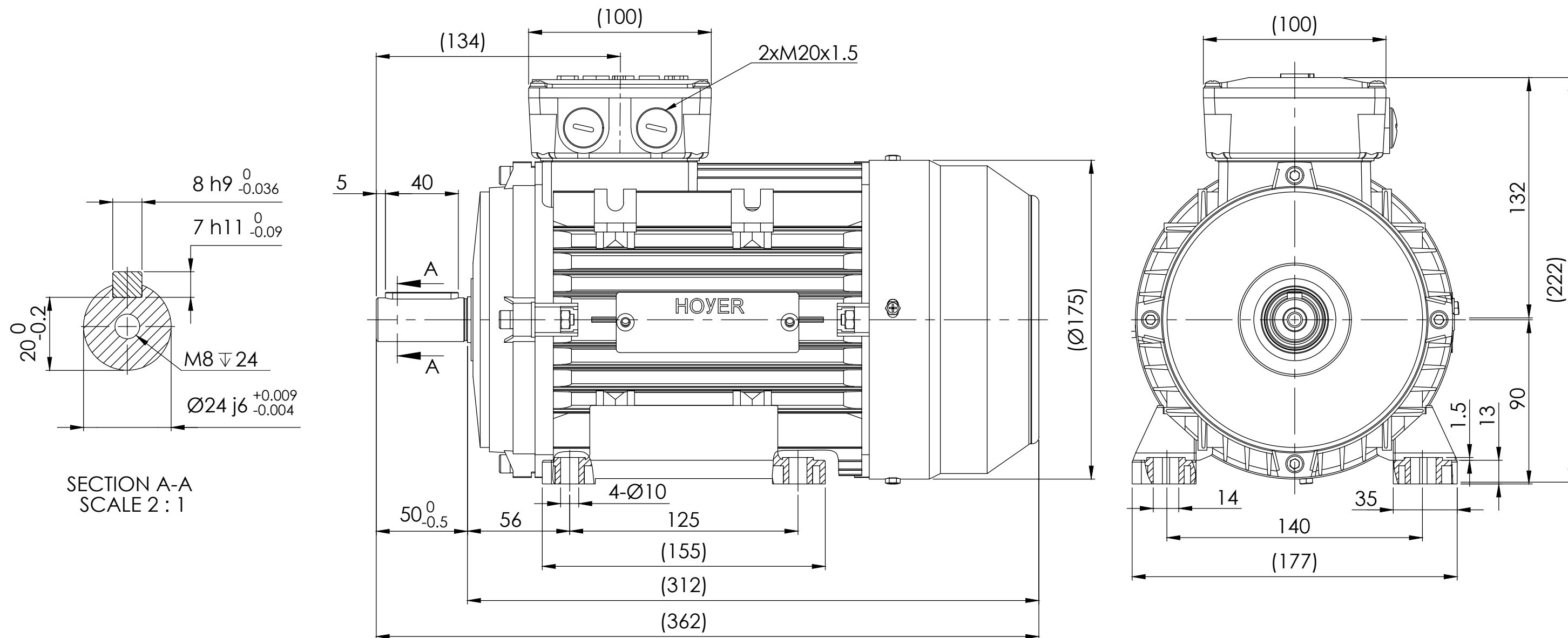
4

5

6


7

8



Note:

- All dimensions are in mm
- Tolerances not informed on the drawing according to the mounting tolerance table.

Mounting tolerance		Hoyer Motors		DEBUR AND BREAK SHARP EDGES		DRAWING NOT IN SCALE	
Dimensions range	Tolerance	 <p>Over Hadstenvej 42, DK-8370 Hadsten Tel : +45 86982111 Fax: +45 86981779 www.hoyermotors.com</p>		<p>REV. LOCATION DESCRIPTION DATE RESP. APPROVED</p> <p>0 N/A First issued 21/10/2024 L&T Hoyer</p>		OUTLINE DRAWING	
0<D≤400	±10					TITLE:	
400<D≤1000	±20					HMA3-90L-6p-B3	
1000<D≤2000	±30					DWG NO.:	
2000<D≤4000	±35					TD-ID-D3633	
4000<D≤8000	±40	A3					
Unit: mm		Representation of the machine is illustrative only		Protection: IEC 60034-5		Machined Part: ISO 2768	
		Some features may not be represented		Dimension: IEC 60072		Weld Constr: ISO 8015	
		For installation or maintenance, consult operation manual		Tolerance: ISO 286		Castings: ISO 8062	
				Key: IEC 60072		SCALE:1:5	
						Weight: 20.4 kg	
						SHEET 1 OF 1	