

1

2

3

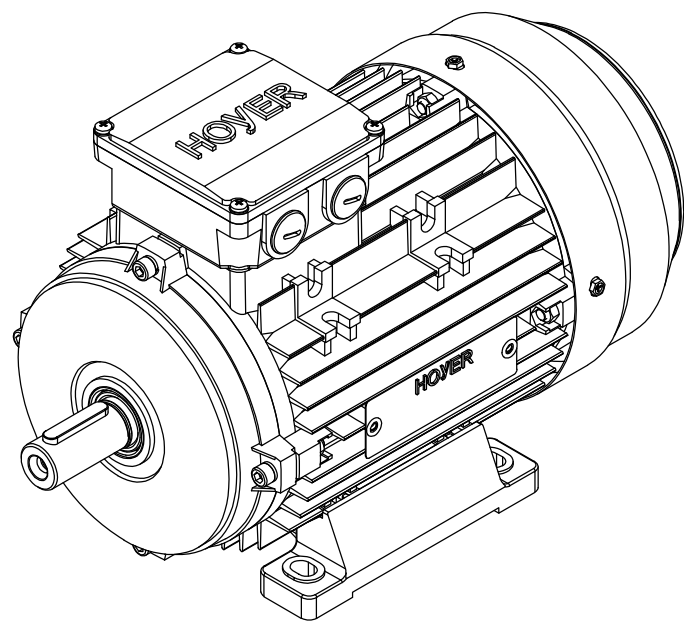
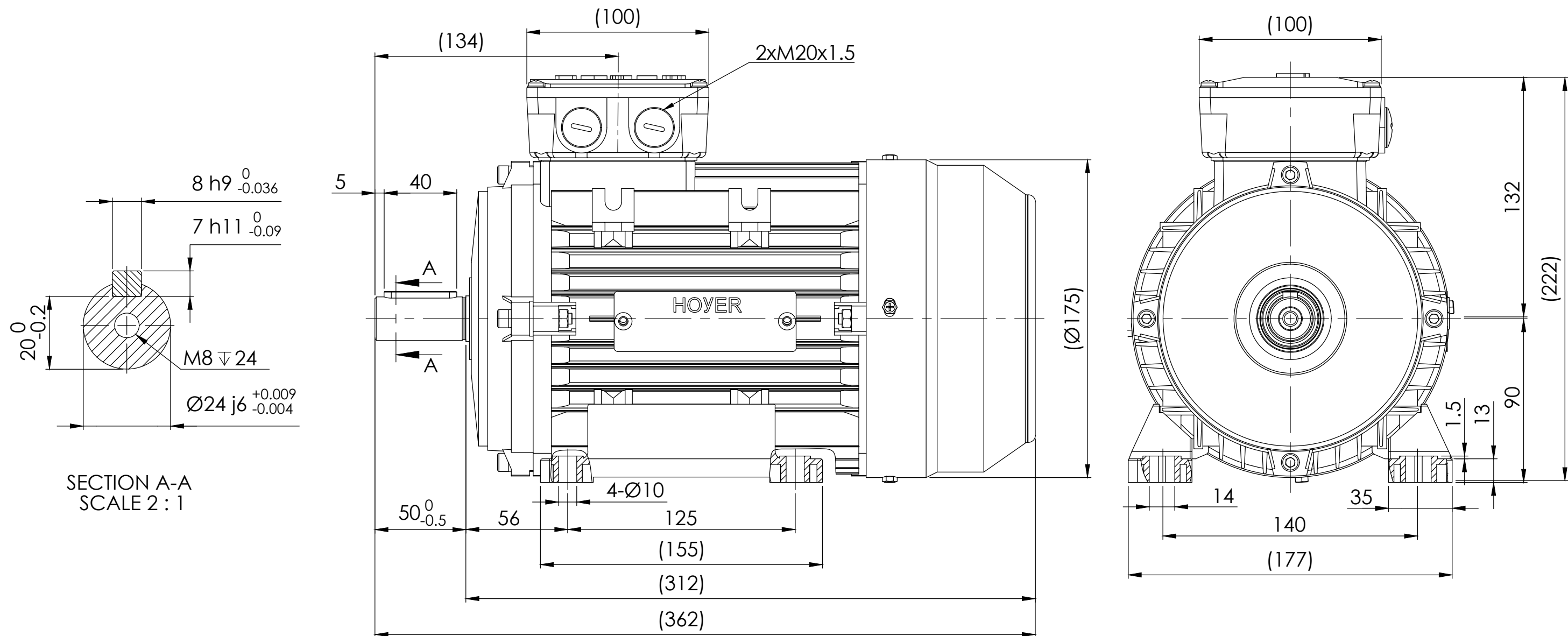
4

5

6



7

8



Note:

1. All dimensions are in mm
2. Tolerances not informed on the drawing according to the mounting tolerance table.

| Mounting tolerance  |           | Hoyer Motors   |             | DEBUR AND BREAK SHARP EDGES |            | DRAWING NOT IN SCALE |               |
|---|-----------|--|-------------|-----------------------------|------------|----------------------|---------------|
| Dimensions range  | Tolerance | <br>Over Hadstenvej 42, DK-8370 Hadsten<br>Tel : +45 86982111<br>Fax: +45 86981779<br>www.hoyermotors.com |             |                             |            | OUTLINE DRAWING      |               |
| 0<D≤400   | ±10       | REV.   | LOCATION    | DESCRIPTION                 | DATE       | RESP.                | APPROVED      |
| 400<D≤1000  | ±20       | 0  | N/A         | First issued                | 21/10/2024 | L&T                  | Hoyer         |
| 1000<D≤2000   | ±30       |  |             |                             |            |                      |               |
| 2000<D≤4000   | ±35       |  |             |                             |            |                      |               |
| 4000<D≤8000   | ±40       |  |             |                             |            |                      |               |
| Unit: mm  |           |  |             |                             |            |                      |               |
|  Representation of the machine is illustrative only<br>Some features may not be represented<br>For installation or maintenance, consult operation manual |           | Protection:  | IEC 60034-5 | Machined Part:              | ISO 2768   | TITLE:               |               |
|   |           | Dimension:   | IEC 60072   | Weld Constr:                | ISO 8015   | HMA3-90L-4p-B3       |               |
|   |           | Tolerance:   | ISO 286     | Castings:                   | ISO 8062   | DWG NO.:             |               |
|   |           | Key:   | IEC 60072   |                             |            | TD-ID-D3632          |               |
|   |           |  |             |                             |            | SCALE:1:5            | Weight: 22 kg |
|   |           |  |             |                             |            | SHEET 1 OF 1         |               |