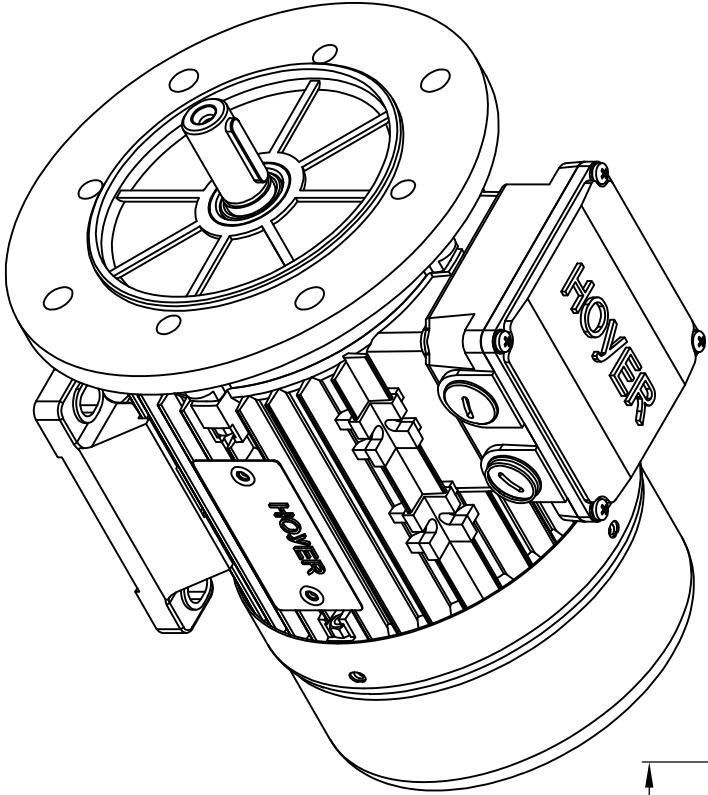


SECTION A-A  
SCALE 2:1



Note:

- All dimensions are in mm
- Tolerances not informed on the drawing according to the mounting tolerance table.

Mounting tolerance		HOYER EXCITING EXPECTATIONS		Hoyer Motors		DEBUR AND BREAK SHARP EDGES		DRAWING NOT IN SCALE	
Dimensions range	Tolerance	REV.	LOCATION	DESCRIPTION	DATE	RESP.	APPROVED	TITLE:	
0<D≤400	±10			First issued	14/10/2024	L&T	Hoyer	HMA3-80 1-2p-B35	
400<D≤1000	±20		N/A						
1000<D≤2000	±30								
2000<D≤4000	±35								
4000<D≤8000	±40								
Unit: mm		Protection: IEC 60034-5		Machined Part: ISO 2768		DWG NO.:		TD-ID-D90171	
Representation of the machine is illustrative only		Dimension: IEC 60072		Weld Constr: ISO 8015		SCALE: 1:5		Weight: 9.8 kg	
Some features may not be represented		Tolerance: ISO 286		Castings: ISO 8062		SHEET 1 OF 1		A3	
For installation or maintenance, consult operation manual		Key:		IEC 60072					