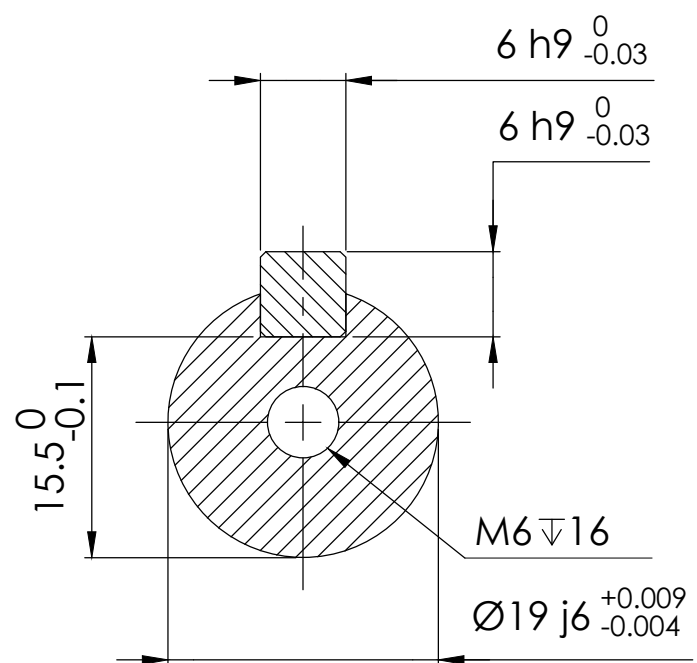
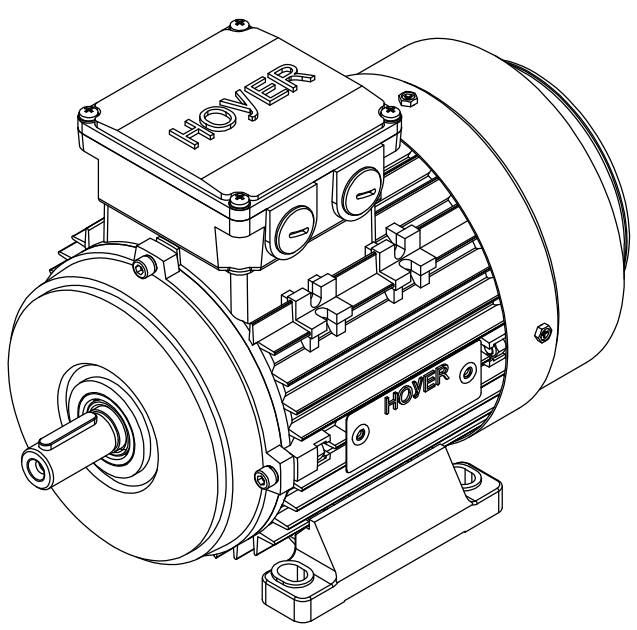
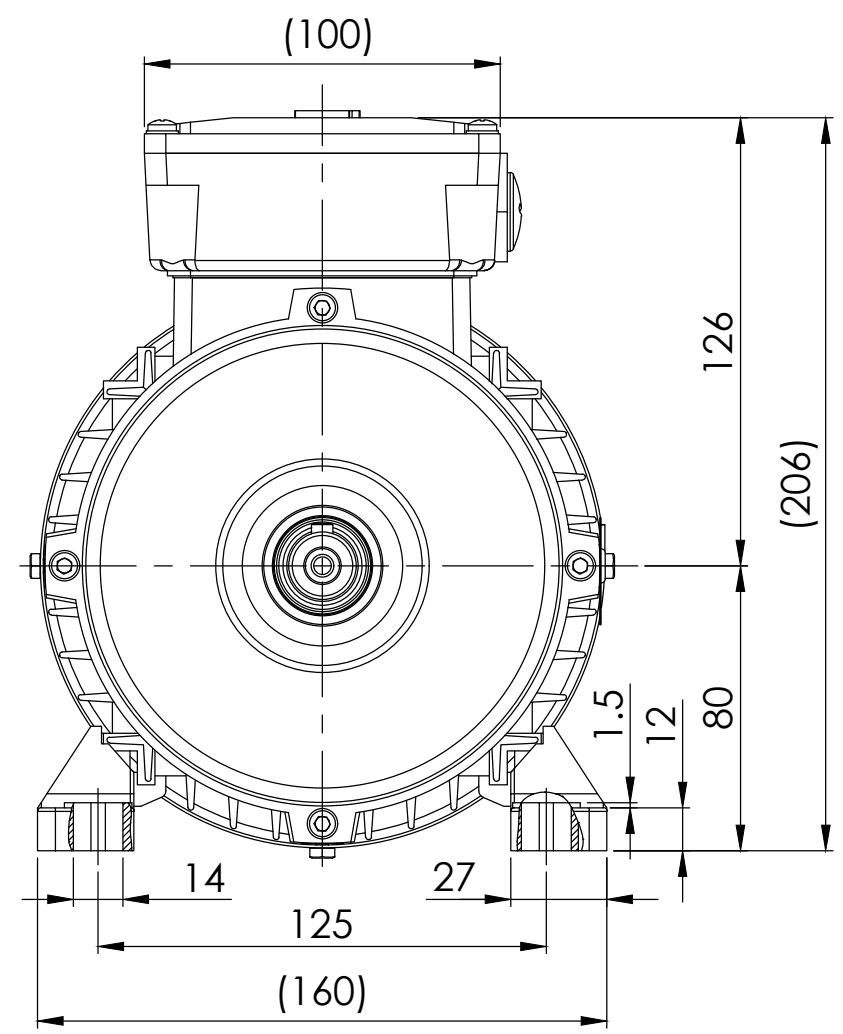
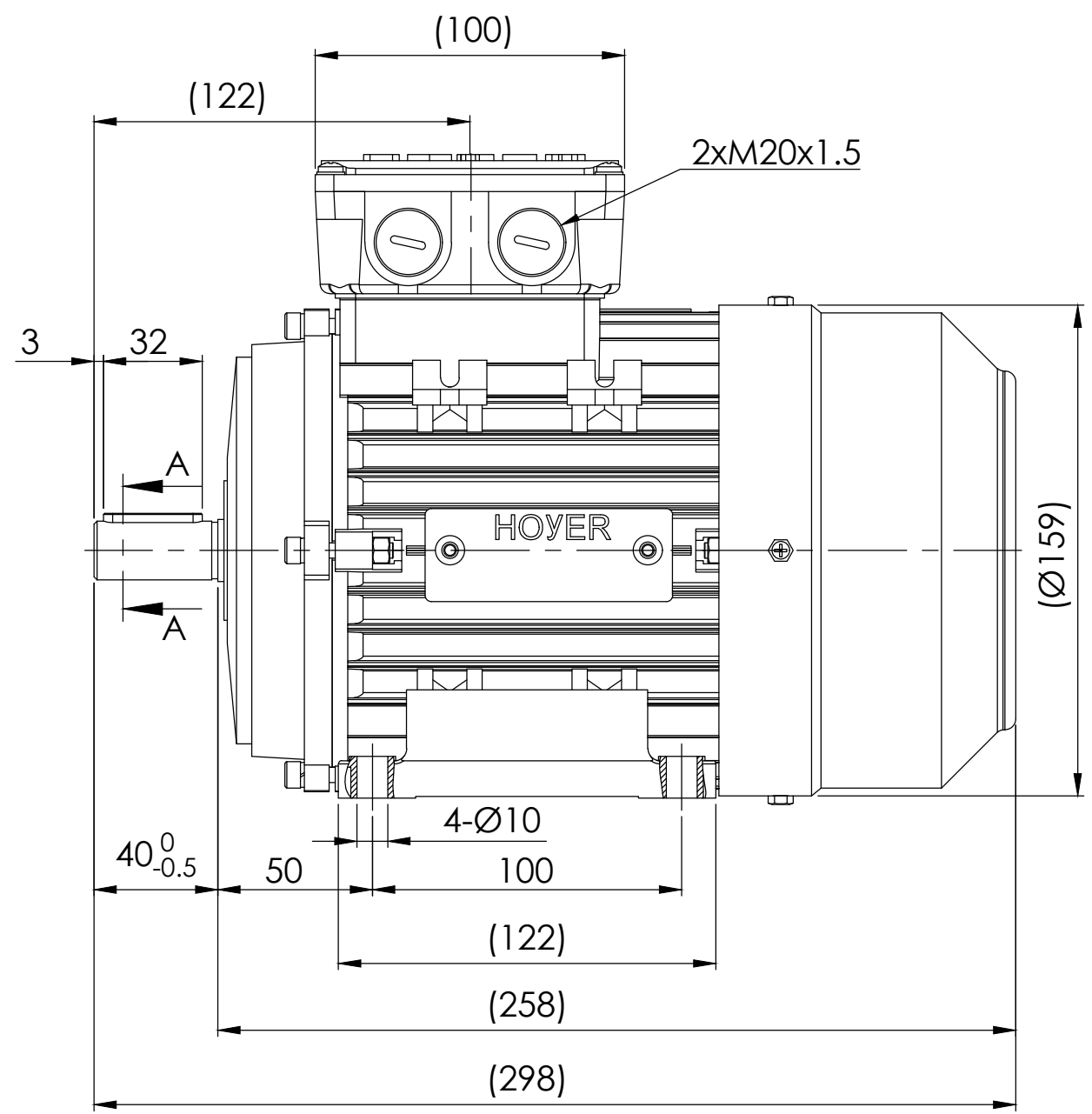




1 2 3 4 5 6 7 8



SECTION A-A
SCALE 2 : 1



Note:
 1. All dimensions are in mm
 2. Tolerances not informed on the drawing according to the mounting tolerance table.

| | | | | | | | | | |
|---|-----------|---|---|----------------|----------------------|----------------|-----|--------------------|----------------------------------|
| Mounting tolerance | |  <p>Hoyer Motors Over Hadstenvej 42, DK-8370 Hadsten Tel : +45 86982111 Fax: +45 86981779 www.hoyermotors.com</p> | DEBUR AND BREAK SHARP EDGES | | DRAWING NOT IN SCALE | | | | |
| Dimensions range | Tolerance | | REV. LOCATION DESCRIPTION DATE RESP. APPROVED | | OUTLINE DRAWING | | | | |
| 0<D≤400 | ±10 | | 0 | N/A | First issued | 14/10/2024 | L&T | Hoyer | TITLE: HMA3-80 1-2p-B3 |
| 400<D≤1000 | ±20 | | | | | | | | |
| 1000<D≤2000 | ±30 | | | | | | | | |
| 2000<D≤4000 | ±35 | | | | | | | | |
| 4000<D≤8000 | ±40 | | | | | | | | |
| Unit: mm | | | | | | | | | |
|  Representation of the machine is illustrative only Some features may not be represented For installation or maintenance, consult operation manual | | Protection: | IEC 60034-5 | Machined Part: | ISO 2768 | DWG NO.: | | TD-ID-D90169 A3 | |
| | | Dimension: | IEC 60072 | Weld Constr: | ISO 8015 | SCALE:1:5 | | | |
| | | Tolerance: | ISO 286 | Castings: | ISO 8062 | Weight: 9.8 kg | | | |
| | | Key: | IEC 60072 | | | SHEET 1 OF 1 | | | |