

1

2

3

4

5

6

7

8

A

B

C

D

E

F

A

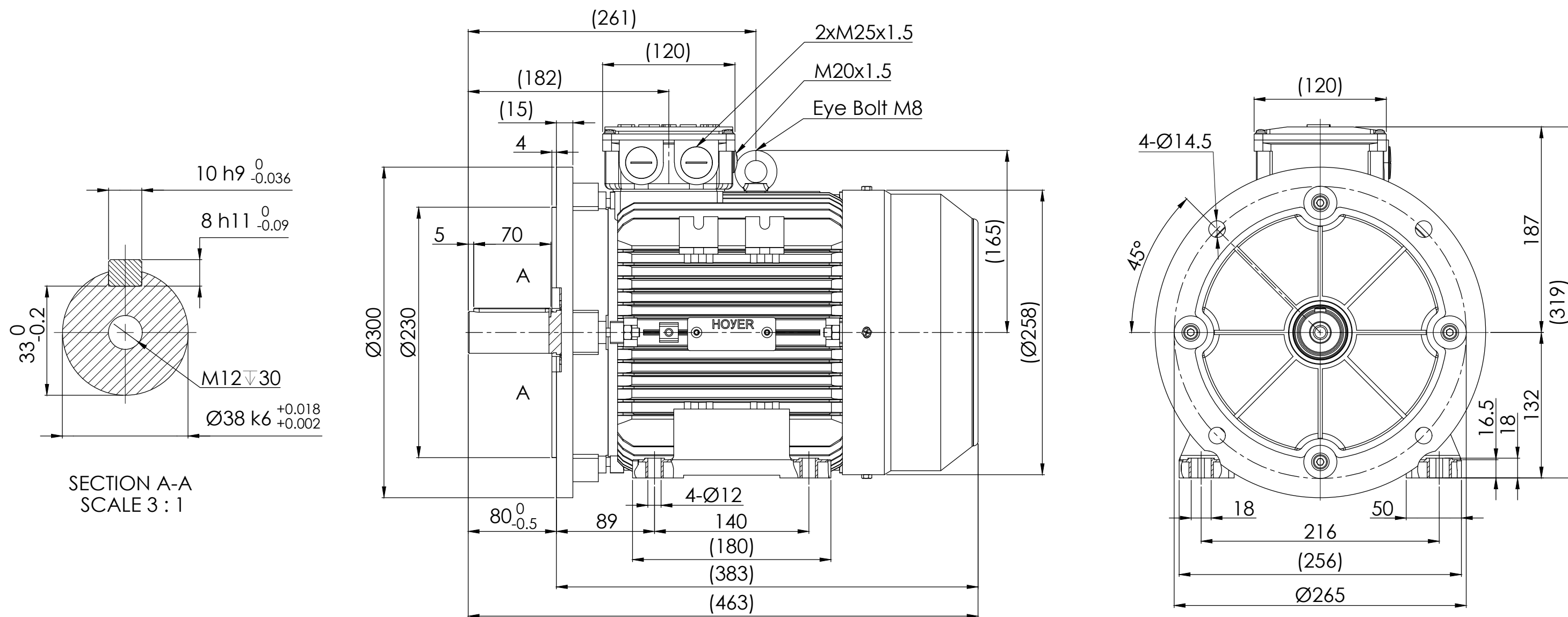
B

C

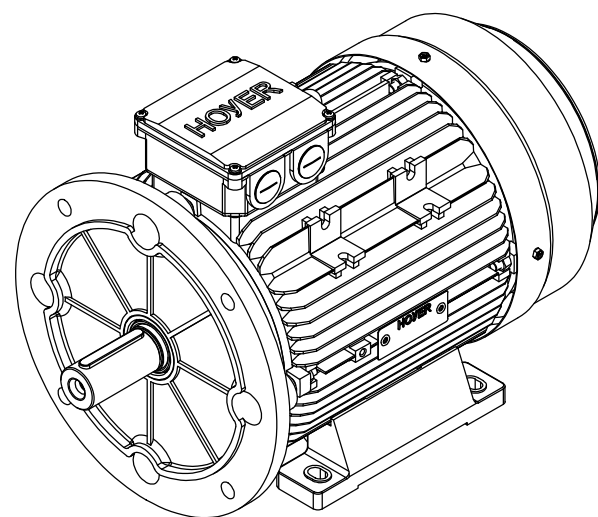
D

E

F





SECTION A-A
SCALE 3:1



Note:

- All dimensions are in mm
- Tolerances not informed on the drawing according to the mounting tolerance table.

Mounting tolerance		 <small>EXCEEDING EXPECTATIONS</small>		Hoyer Motors			DEBUR AND BREAK SHARP EDGES		DRAWING NOT IN SCALE	
Dimensions range	Tolerance			REV.	LOCATION	DESCRIPTION	DATE	RESP.	APPROVED	OUTLINE DRAWING
0<D≤400	±10	0	N/A	First issued	25/10/2024	L&T	Hoyer	TITLE: HMA3-132S1-2p-B35		
400<D≤1000	±20							DWG NO.: TD-ID-D90186		
1000<D≤2000	±30							A3		
2000<D≤4000	±35							SCALE:1:5		
4000<D≤8000	±40							Weight: 47.7 kg		
Unit: mm								SHEET 1 OF 1		
 Representation of the machine is illustrative only Some features may not be represented For installation or maintenance, consult operation manual				Protection: IEC 60034-5		Machined Part: ISO 2768		DWG NO.: TD-ID-D90186		
				Dimension: IEC 60072		Weld Constr: ISO 8015				
				Tolerance: ISO 286		Castings: ISO 8062				
				Key: IEC 60072						