

1

2

3

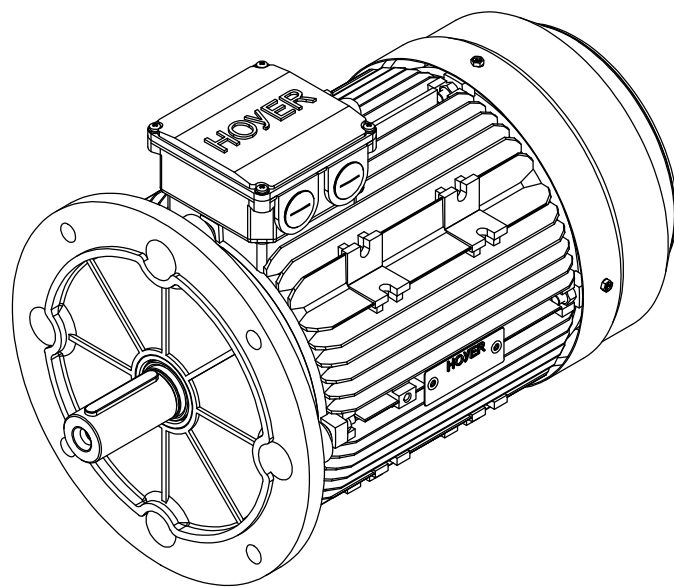
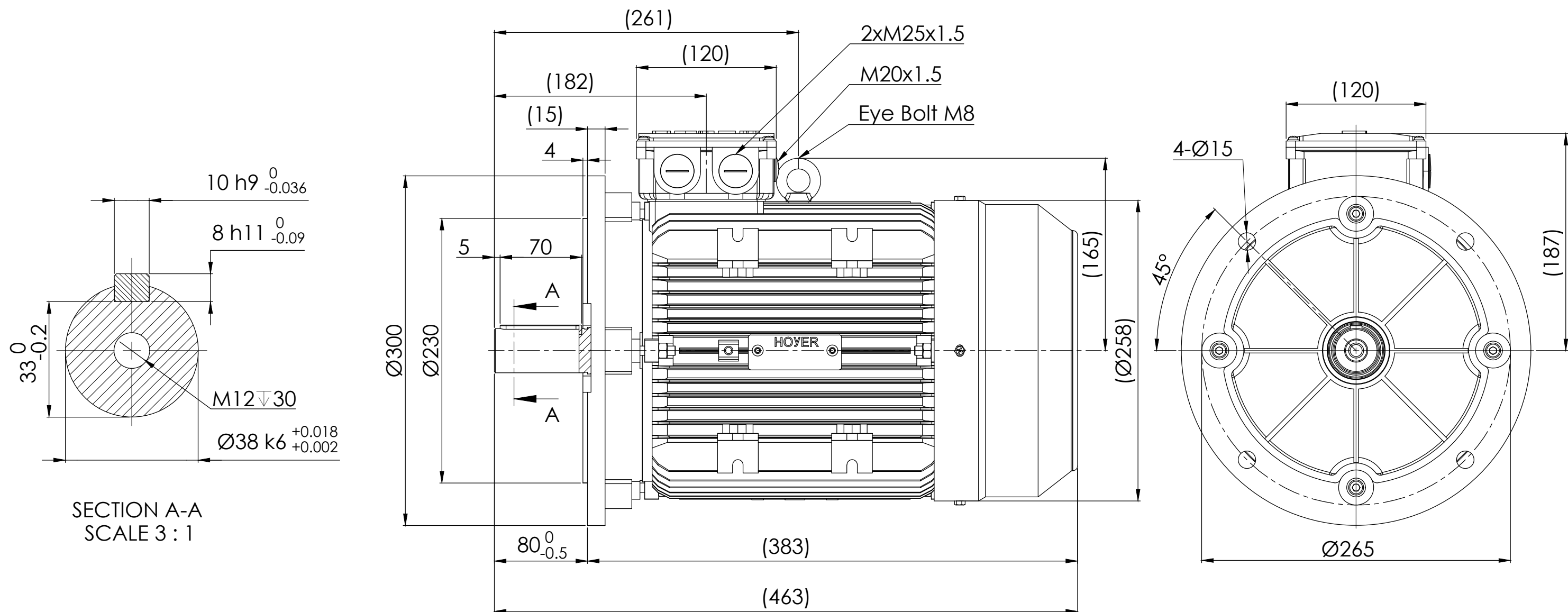
4

5

6

7

8



Note:

- All dimensions are in mm
- Tolerances not informed on the drawing according to the mounting tolerance table.

Mounting tolerance		HOYER		Hoyer Motors			DEBUR AND BREAK SHARP EDGES		DRAWING NOT IN SCALE		
Dimensions range	Tolerance	EXCEEDING EXPECTATIONS		Over Hadstenvej 42, DK-8370 Hadsten Tel : +45 86982111 Fax: +45 86981779 www.hoyermotors.com					OUTLINE DRAWING		
0<D≤400	±10	REV.	LOCATION	DESCRIPTION	DATE	RESP.	APPROVED	TITLE:			
400<D≤1000	±20	0	N/A	First issued	25/10/2024	L&T	Hoyer	HMA3-132S-8p-B5			
1000<D≤2000	±30							DWG NO.:			
2000<D≤4000	±35							TD-ID-D3715			
4000<D≤8000	±40							A3			
Unit: mm								SCALE:1:5			
Representation of the machine is illustrative only		Protection:		IEC 60034-5		Machined Part:		ISO 2768		Weight: 56 kg	
Some features may not be represented		Dimension:		IEC 60072		Weld Constr:		ISO 8015		SHEET 1 OF 1	
For installation or maintenance, consult operation manual		Tolerance:		ISO 286		Castings:		ISO 8062			
		Key:		IEC 60072							