

1

2

3

4

5

6

7

8

A

B

C

D

E

F

A

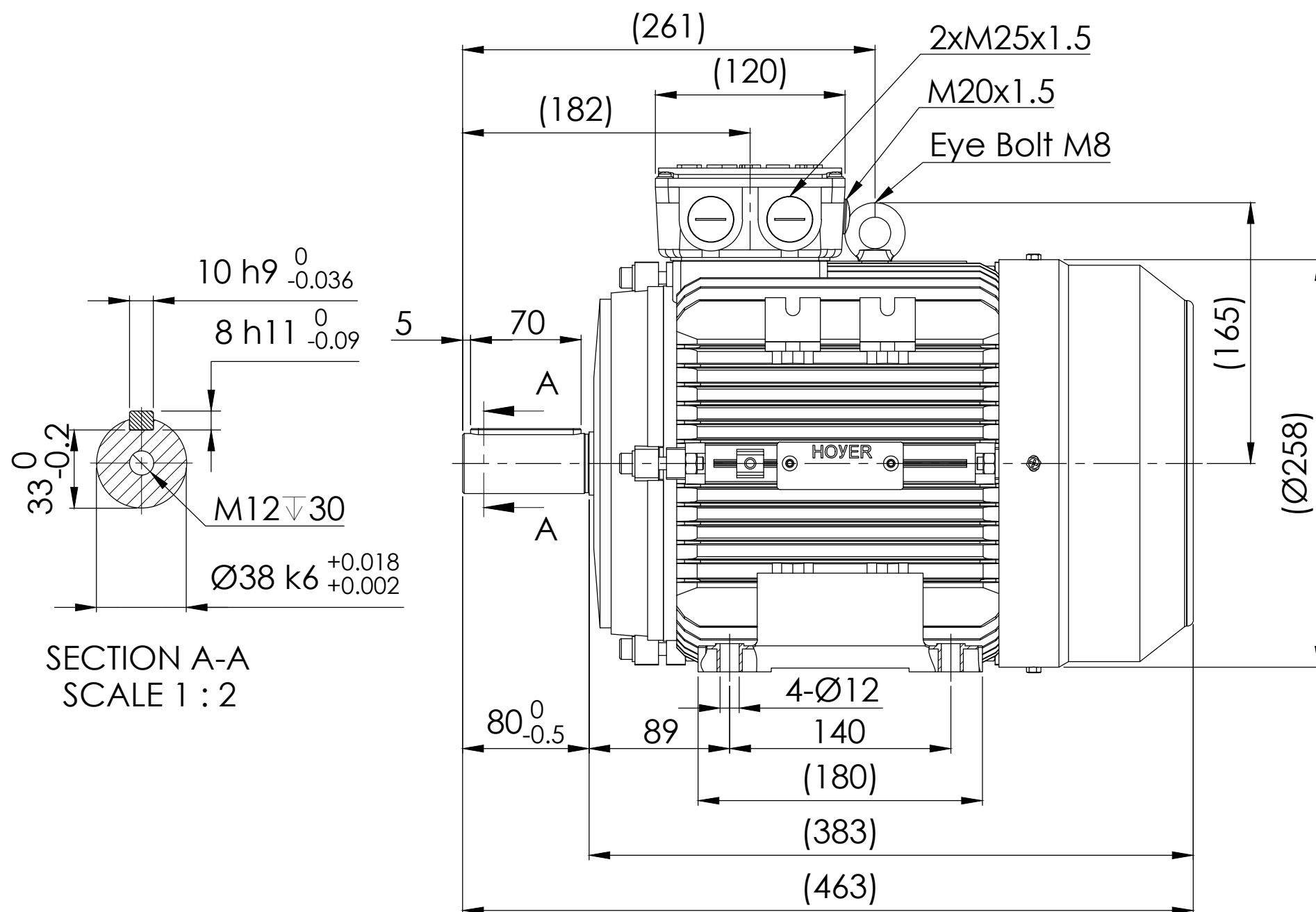
B

C

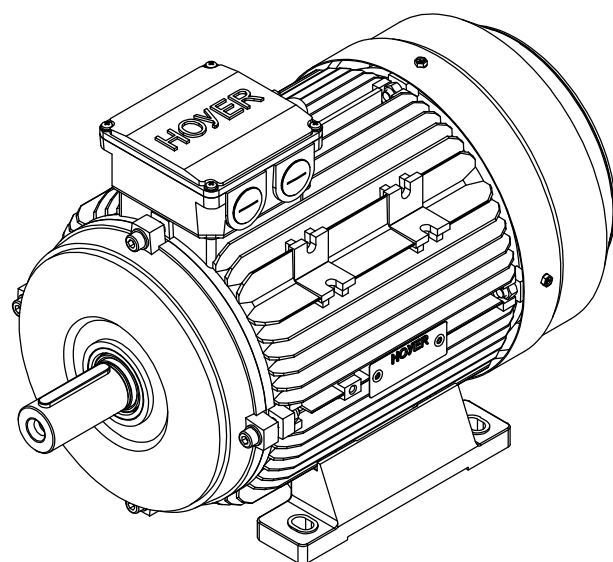
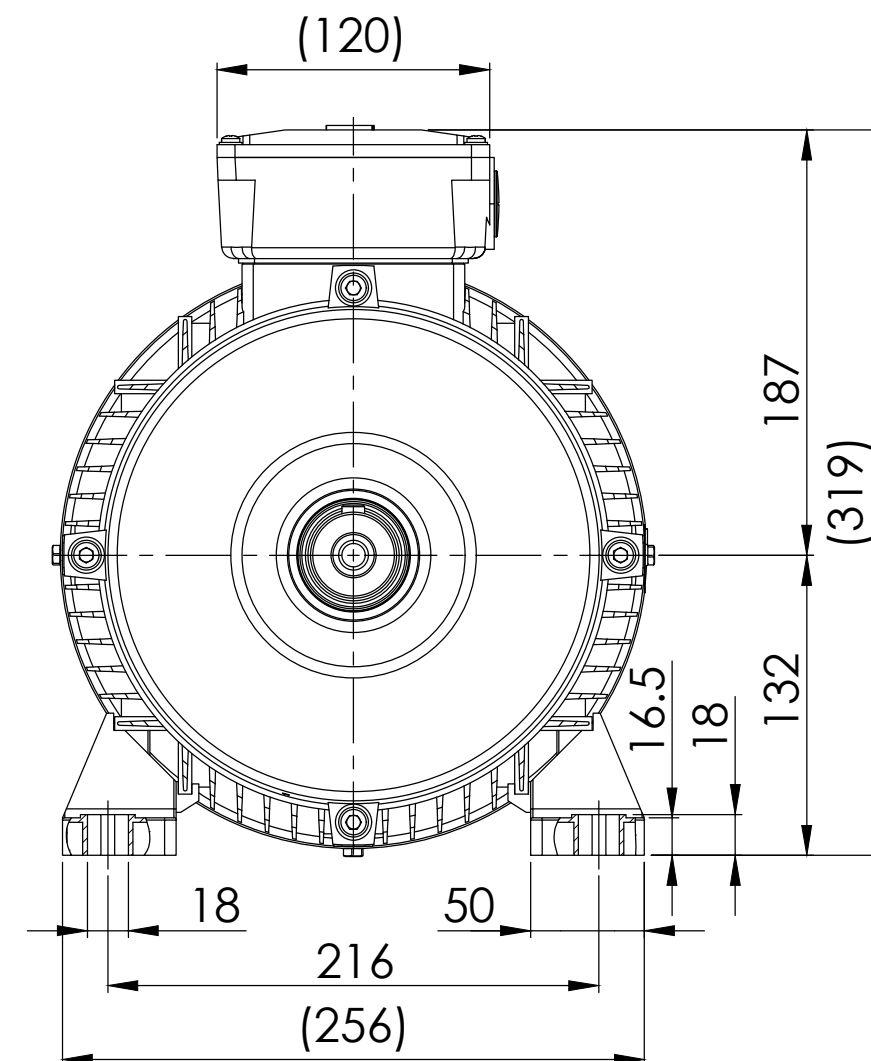
D

E

F





SECTION A-A
SCALE 1 : 2



Note:

1. All dimensions are in mm
2. Tolerances not informed on the drawing according to the mounting tolerance table.

| Mounting tolerance | |  <small>EXCEEDING EXPECTATIONS</small> | | Hoyer Motors | | | DEBUR AND BREAK SHARP EDGES | | DRAWING NOT IN SCALE | |
|-----------------------------------------------------------------------------------------------------------------------------------------------------------------------------------------------------------------------------------------------|-----------|--------------------------------------------------------------------------------------------------------------------------------|-----|-------------------------|------------|-------------------------|-----------------------------|---------------------------|----------------------|-----------------|
| Dimensions range | Tolerance | | | REV. | LOCATION | DESCRIPTION | DATE | RESP. | APPROVED | OUTLINE DRAWING |
| 0<D≤400 | ±10 | 0 | N/A | First issued | 24/10/2024 | L&T | Hoyer | TITLE: HMA3-132S-8p-B3 | | |
| 400<D≤1000 | ±20 | | | | | | | DWG NO.: TD-ID-D3708 | | |
| 1000<D≤2000 | ±30 | | | | | | | A3 | | |
| 2000<D≤4000 | ±35 | | | | | | | SCALE:1:5 | | |
| 4000<D≤8000 | ±40 | | | | | | | Weight: 56 kg | | |
| Unit: mm | | | | | | | | SHEET 1 OF 1 | | |
|  Representation of the machine is illustrative only Some features may not be represented For installation or maintenance, consult operation manual | | | | Protection: IEC 60034-5 | | Machined Part: ISO 2768 | | Key: IEC 60072 | | |
| | | | | Dimension: IEC 60072 | | Weld Constr: ISO 8015 | | | | |
| | | | | Tolerance: ISO 286 | | Castings: ISO 8062 | | | | |