

1

2

3

4

5

6

7

8

A

B

C

D

E

F

A

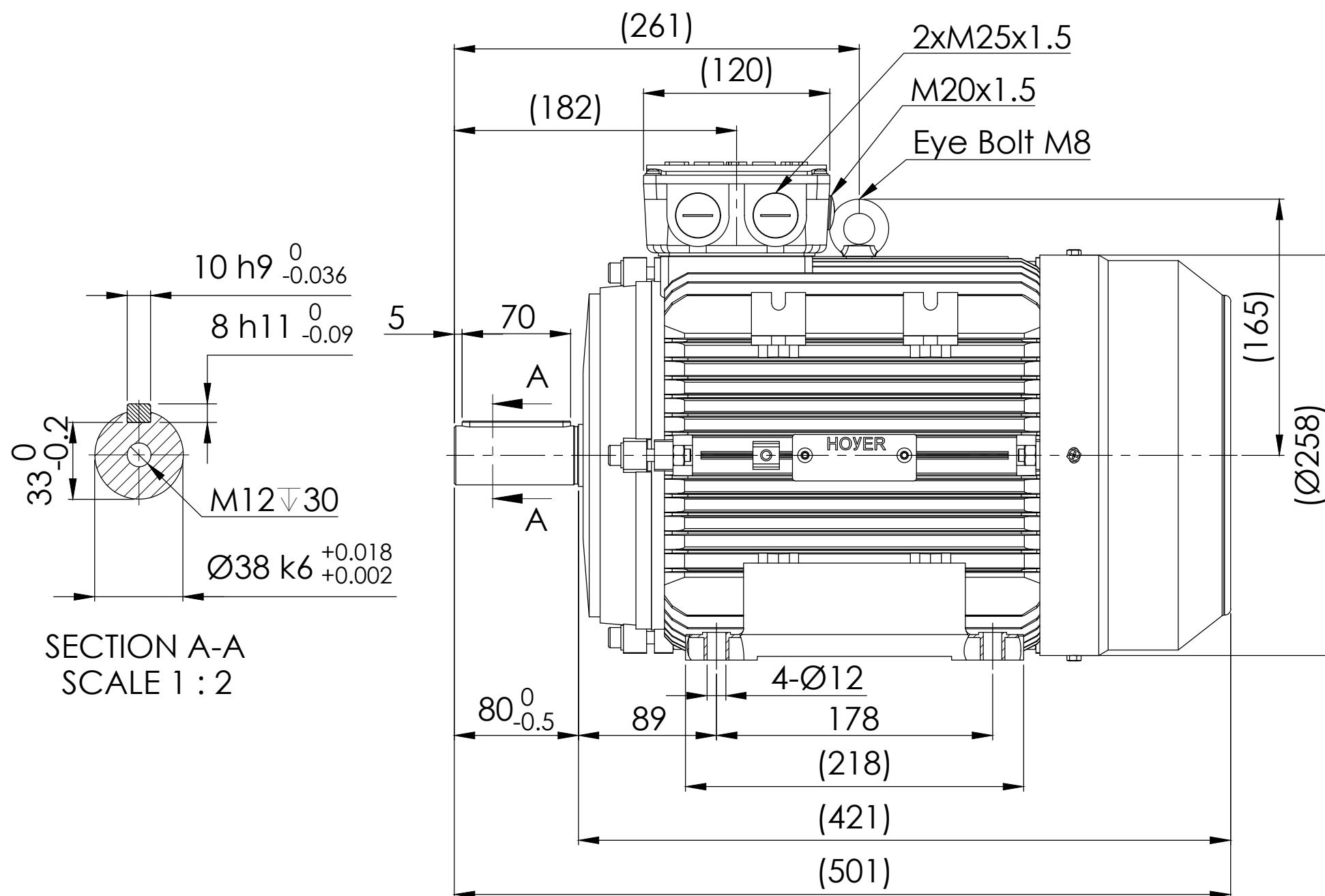
B

C

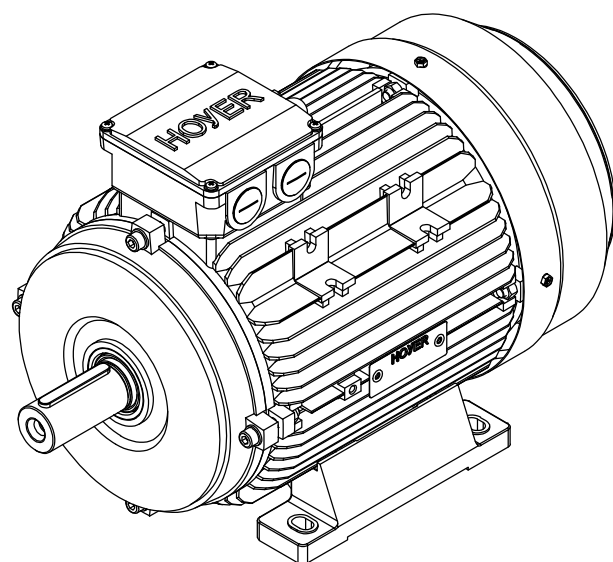
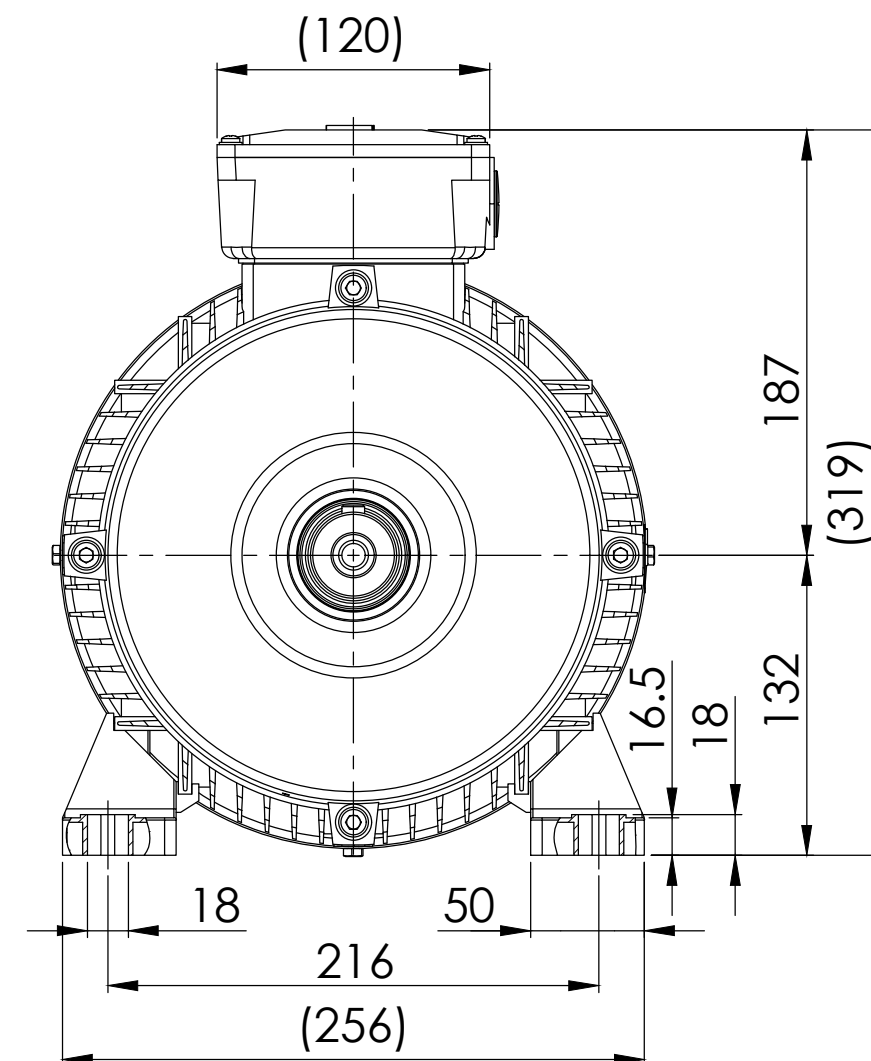
D

E

F



SECTION A-A
SCALE 1 : 2



Note:

1. All dimensions are in mm

2. Tolerances not informed on the drawing according to the mounting tolerance table.

| Mounting tolerance | | HOYER EXCEEDING EXPECTATIONS | | Hoyer Motors Over Hadstenvej 42, DK-8370 Hadsten Tel : +45 86982111 Fax: +45 86981779 www.hoyermotors.com | | | DEBUR AND BREAK SHARP EDGES | DRAWING NOT IN SCALE | |
|--------------------|-----------|---|----------|---|-------------|-------------|-----------------------------------|---------------------------|--------------------------------|
| Dimensions range | Tolerance | REV. | LOCATION | DESCRIPTION | DATE | RESP. | APPROVED | OUTLINE DRAWING | |
| 0<D≤400 | ±10 | 0 | N/A | First issued | 24/10/2024 | L&T | Hoyer | TITLE: HMA3-132M-4p-B3 | |
| 400<D≤1000 | ±20 | | | | | | | DWG NO.: TD-ID-D90187 | |
| 1000<D≤2000 | ±30 | | | | | | | A3 | |
| 2000<D≤4000 | ±35 | | | | | | | SCALE:1:5 | |
| 4000<D≤8000 | ±40 | | | | | | | Weight: 64 kg | |
| Unit: mm | | | | | | | | SHEET 1 OF 1 | |
| | | Representation of the machine is illustrative only | | | Protection: | IEC 60034-5 | Machined Part: | ISO 2768 | DWG NO.: TD-ID-D90187 A3 |
| | | Some features may not be represented | | | Dimension: | IEC 60072 | Weld Constr: | ISO 8015 | |
| | | For installation or maintenance, consult operation manual | | | Tolerance: | ISO 286 | Castings: | ISO 8062 | |
| | | | | | Key: | IEC 60072 | | | |