

1

2

3

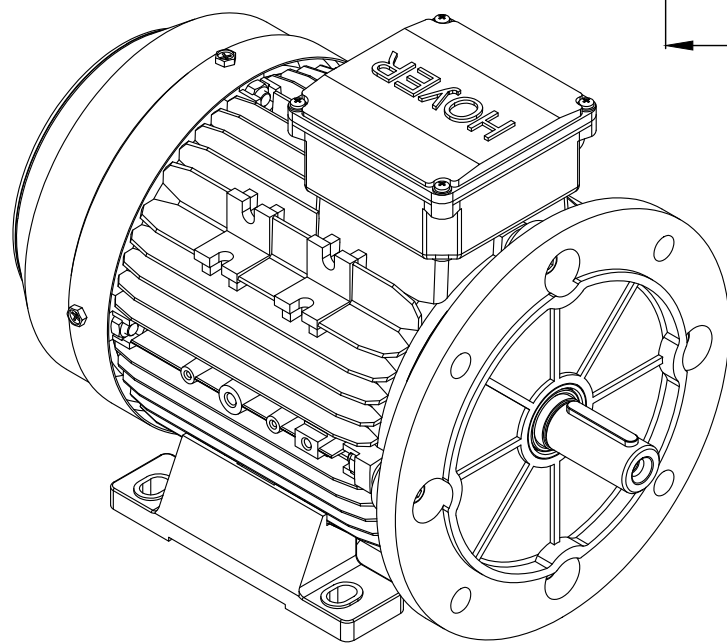
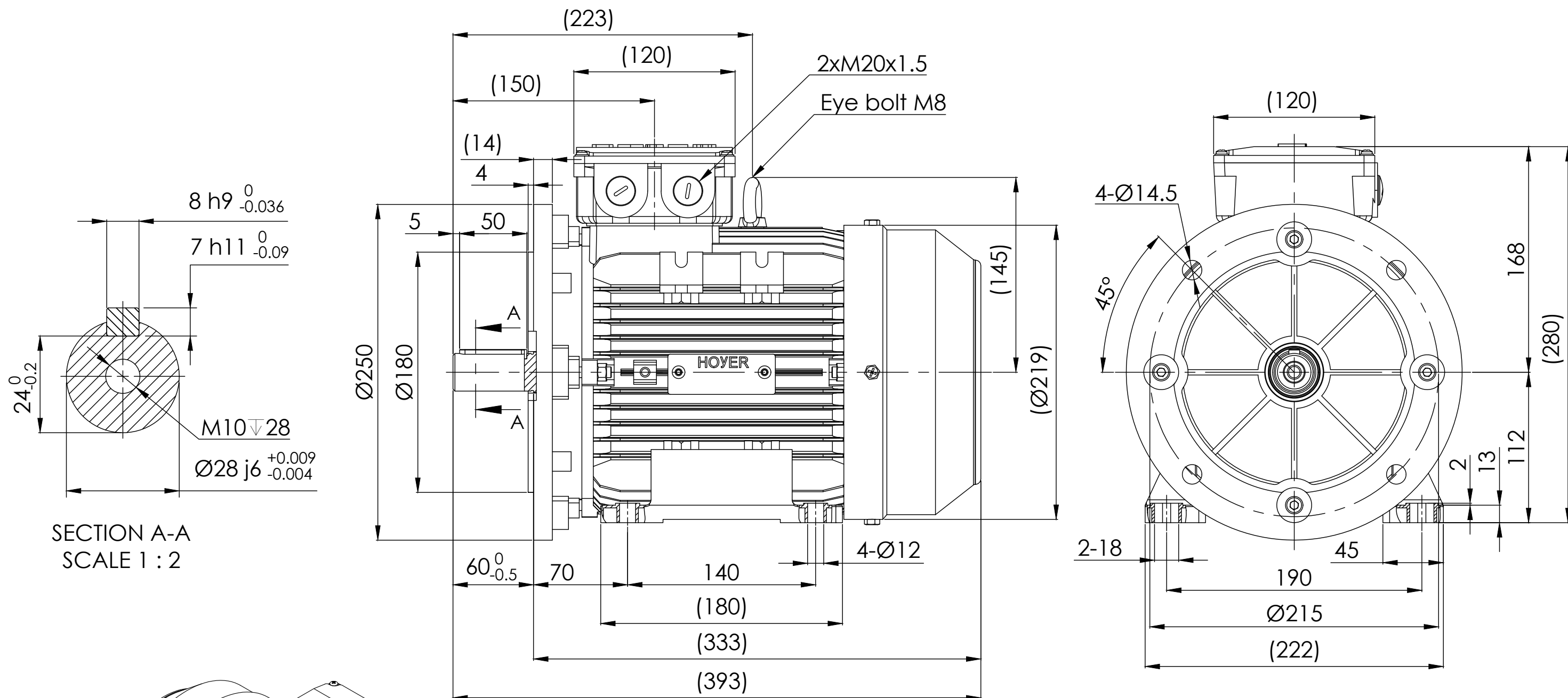
4

5

6

7



8



Note:

1.All dimensions are in mm

2.Tolerances not informed on the drawing according to the mounting tolerance table.

Mounting tolerance		Hoyer Motors		DEBUR AND BREAK SHARP EDGES		DRAWING NOT IN SCALE	
Dimensions range	Tolerance	 Hoyer Motors Over Hadstenevej 42, DK-8370 Hadsten Tel : +45 86982111 Fax: +45 86981779 www.hoyermotors.com				OUTLINE DRAWING	
0<D≤400	±10	REV.	LOCATION	DESCRIPTION	DATE	RESP.	APPROVED
400<D≤1000	±20	0	N/A	First issued	25/10/2024	L&T	Hoyer
1000<D≤2000	±30	1	N/A	Corrected spigot	05/01/2026	NKH	MOK
2000<D≤4000	±35						
4000<D≤8000	±40						
Unit: mm							
 Representation of the machine is illustrative only Some features may not be represented For installation or maintenance, consult operation manual				Protection:	IEC 60034-5	Machined Part:	ISO 2768
				Dimension:	IEC 60072	Weld Constr:	ISO 8015
				Tolerance:	ISO 286	Castings:	ISO 8062
				Key:	IEC 60072		
DWG NO.:		TD-ID-D3699		SCALE:1:10		Weight: 49 kg	
						SHEET 1 OF 1	