

1

2

3

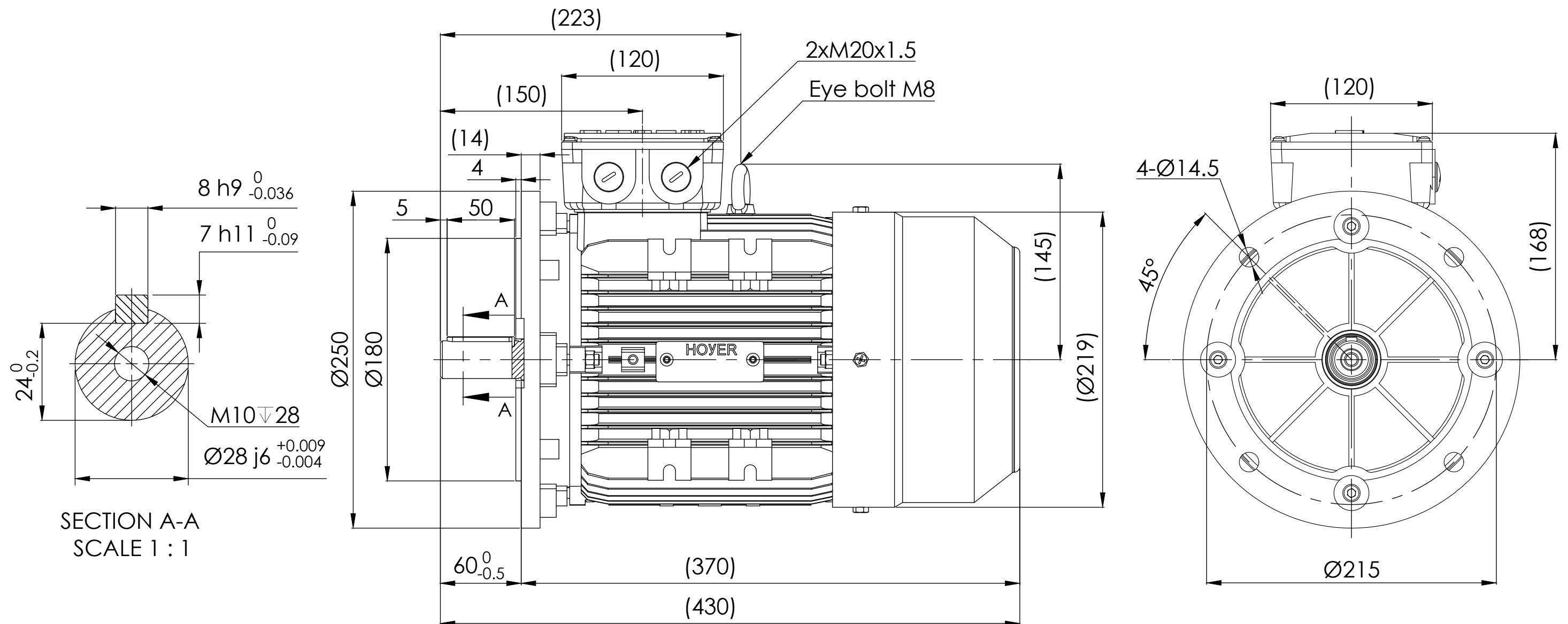
4

5

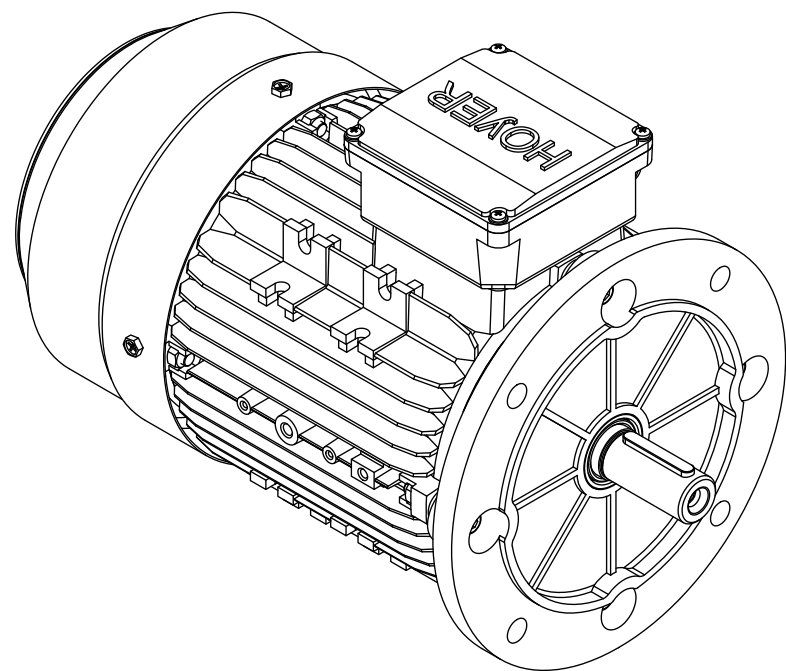
6

7

8





SECTION A-A
SCALE 1 : 1



Note:

- All dimensions are in mm
- Tolerances not informed on the drawing according to the mounting tolerance table.

Mounting tolerance				Hoyer Motors			DEBUR AND BREAK SHARP EDGES		DRAWING NOT IN SCALE				
Dimensions range	Tolerance			Over Hadstenvvej 42, DK-8370 Hadsten			Tel : +45 86982111		Fax: +45 86981779		www.hoyermotors.com		
0<D≤400	±10	REV.	LOCATION	DESCRIPTION	DATE	RESP.	APPROVED	TITLE:					
400<D≤1000	±20	0	N/A	First issued	23/10/2024	L&T	Hoyer	HMA3-112M-4p-B5					
1000<D≤2000	±30							DWG NO.:					
2000<D≤4000	±35							TD-ID-D90199					
4000<D≤8000	±40							A3					
Unit: mm													
				Representation of the machine is illustrative only		Protection: IEC 60034-5		Machined Part: ISO 2768		SCALE:1:10			
				Some features may not be represented		Dimension: IEC 60072		Weld Constr: ISO 8015		Weight: 41.5 kg		SHEET 1 OF 1	
				For installation or maintenance, consult operation manual		Tolerance: ISO 286		Castings: ISO 8062					
				Key: IEC 60072									