

1

2

3

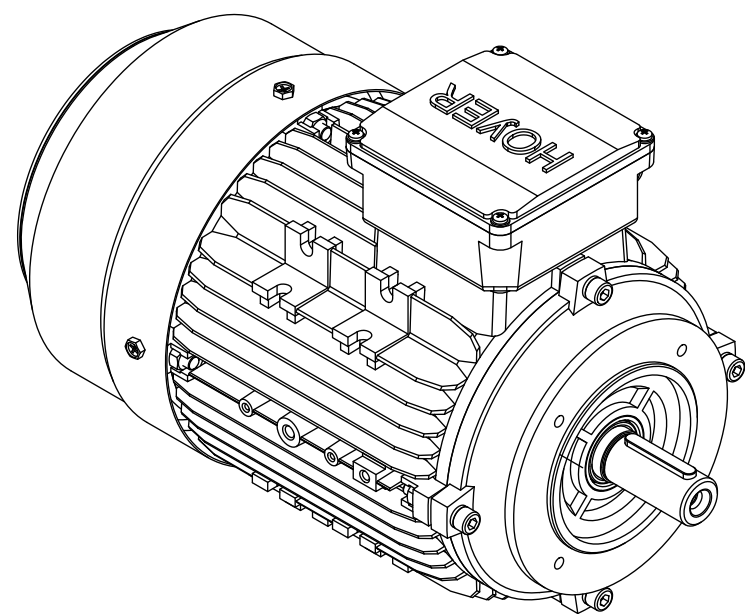
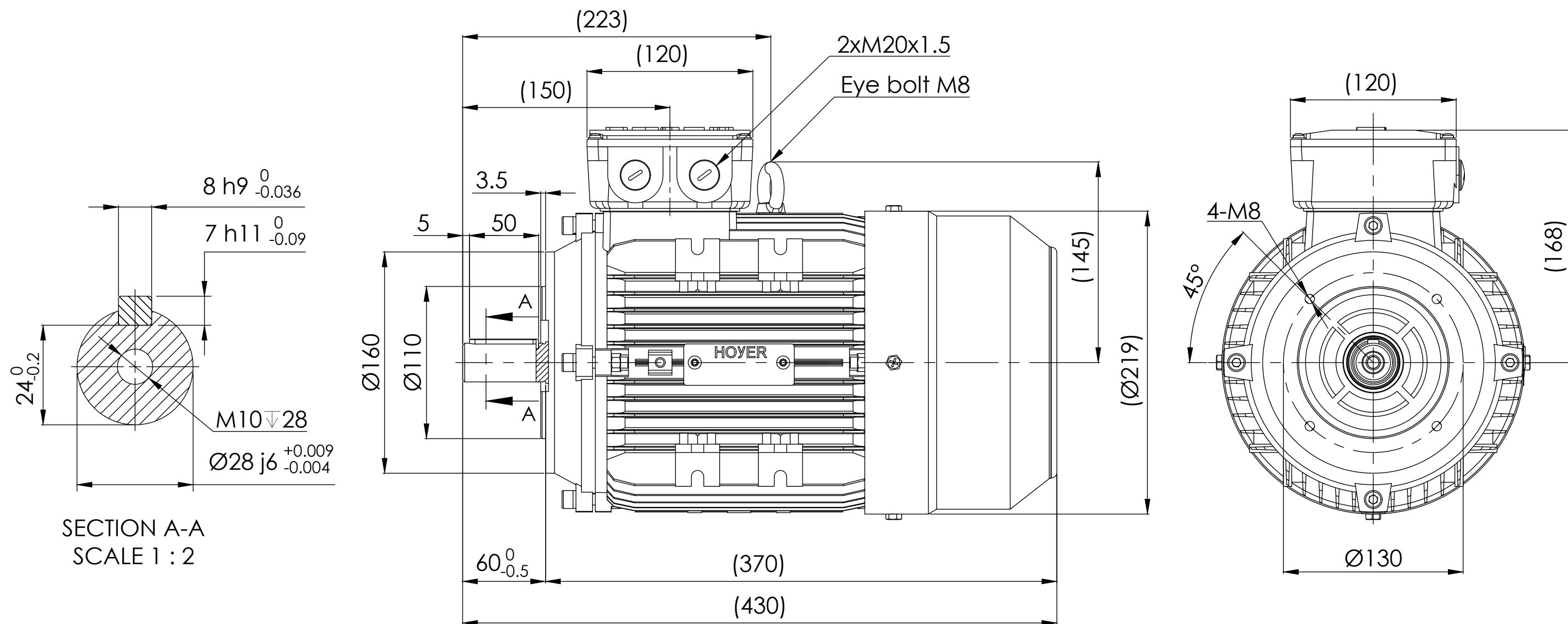
4

5

6



7

8



Note:

1. All dimensions are in mm
2. Tolerances not informed on the drawing according to the mounting tolerance table.

Mounting tolerance		Hoyer Motors		DEBUR AND BREAK SHARP EDGES		DRAWING NOT IN SCALE	
Dimensions range	Tolerance	 Over Hadstenvej 42, DK-8370 Hadsten Tel : +45 86982111 Fax: +45 86981779 www.hoyermotors.com		Hoyer Motors Over Hadstenvej 42, DK-8370 Hadsten Tel : +45 86982111 Fax: +45 86981779 www.hoyermotors.com		DRAWING NOT IN SCALE OUTLINE DRAWING TITLE: HMA3-112M-4p-B14	
0 < D ≤ 400	±10						
400 < D ≤ 1000	±20						
1000 < D ≤ 2000	±30						
2000 < D ≤ 4000	±35						
4000 < D ≤ 8000	±40	REV.	LOCATION	DESCRIPTION	DATE	RESP.	APPROVED
Unit: mm		0	N/A	First issued	23/10/2024	L&T	Hoyer
 Representation of the machine is illustrative only Some features may not be represented For installation or maintenance, consult operation manual		Protection:		IEC 60034-5	Machined Part:		ISO 2768
		Dimension:		IEC 60072	Weld Constr:		ISO 8015
		Tolerance:		ISO 286	Castings:		ISO 8062
Key:		IEC 60072				DWG NO.: TD-ID-D90206	
						SCALE: 1:10	
						Weight: 41.5 kg	
						SHEET 1 OF 1	