

1

2

3

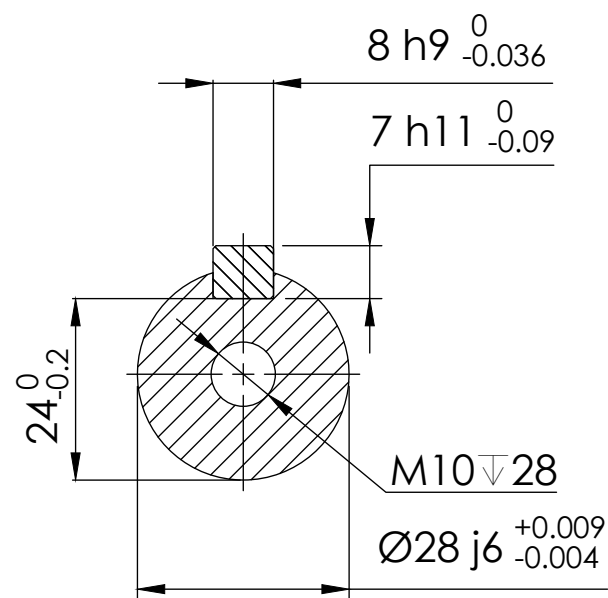
4

5

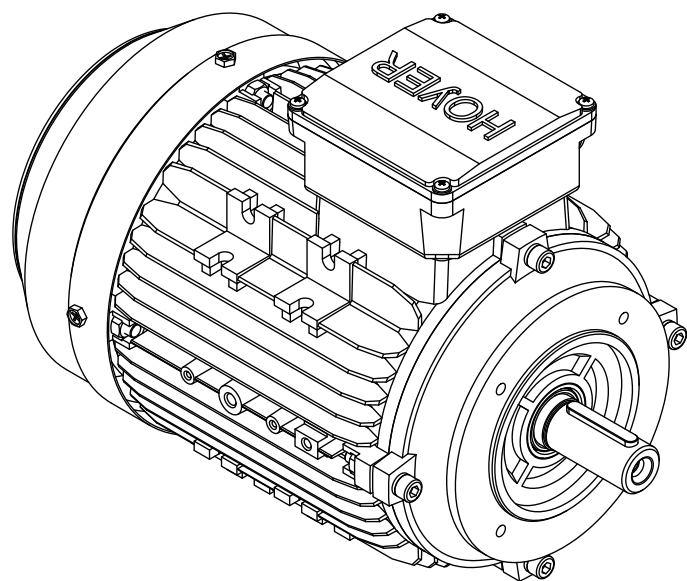
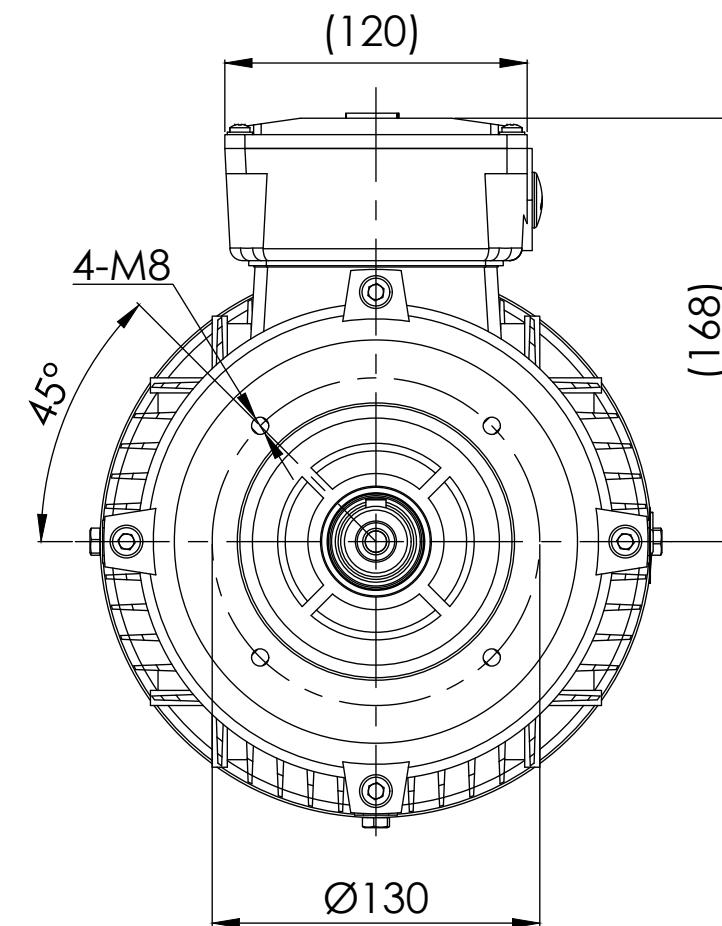
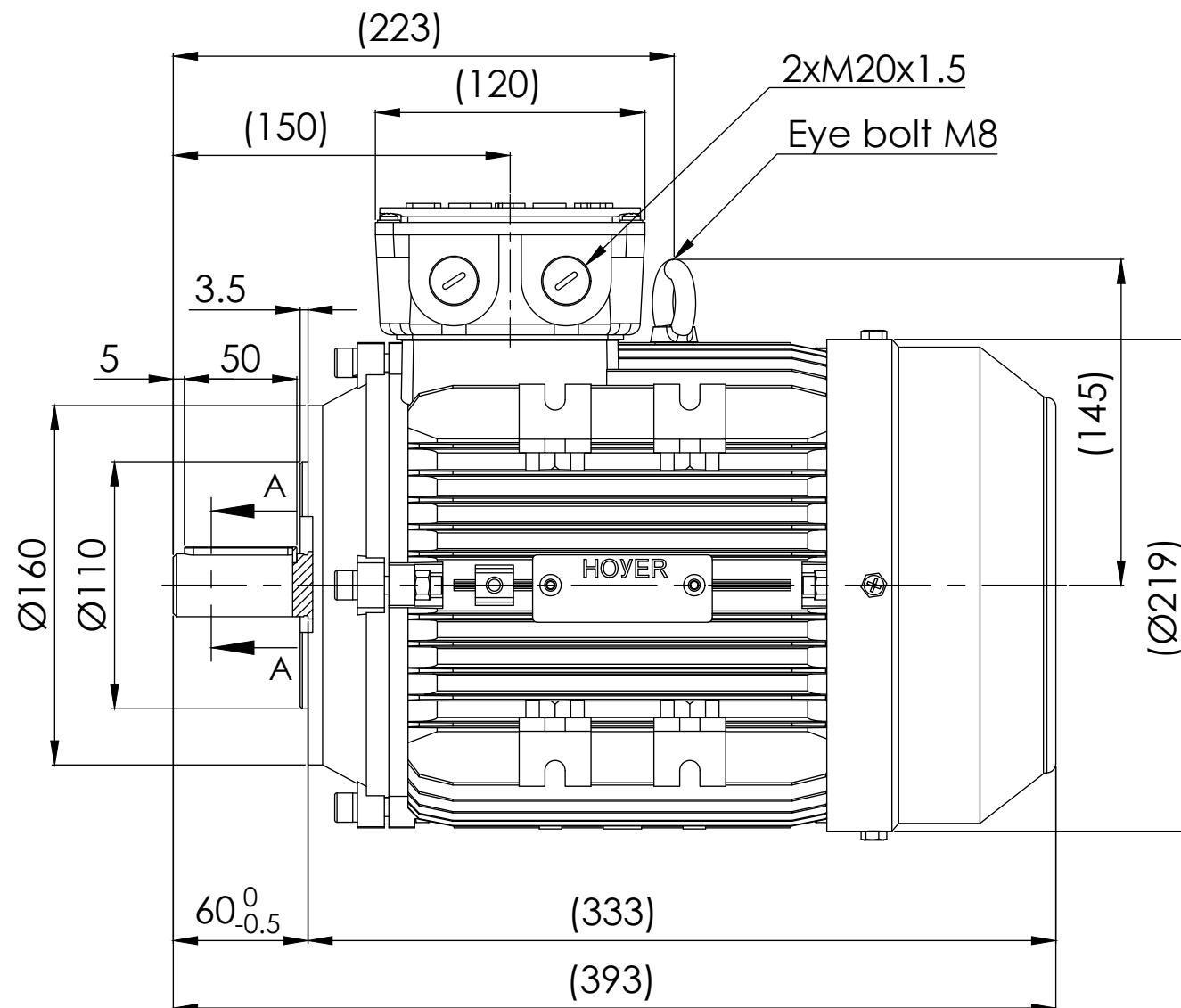
6

7

8





SECTION A-A
SCALE 1 : 2



Note:

- 1.All dimensions are in mm
- 2.Tolerances not informed on the drawing according to the mounting tolerance table.

Mounting tolerance		Hoyer Motors		DEBUR AND BREAK SHARP EDGES		DRAWING NOT IN SCALE	
Dimensions range	Tolerance	 <p>Over Hadstenvvej 42, DK-8370 Hadsten Tel : +45 86982111 Fax: +45 86981779 www.hoyermotors.com</p>		<p>REV. LOCATION DESCRIPTION DATE RESP. APPROVED</p> <p>0 N/A First issued 23/10/2024 L&T Hoyer</p>		OUTLINE DRAWING	
0<D≤400	±10					TITLE: HMA3-112M-2p-B14	
400<D≤1000	±20					DWG NO.: TD-ID-D90205	
1000<D≤2000	±30					A3	
2000<D≤4000	±35					SCALE:1:10	
4000<D≤8000	±40	Weight: 34.1 kg					
Unit: mm		SHEET 1 OF 1					
 <p>Representation of the machine is illustrative only Some features may not be represented For installation or maintenance, consult operation manual</p>		Protection:	IEC 60034-5	Machined Part:	ISO 2768	<p>Representation of the machine is illustrative only Some features may not be represented For installation or maintenance, consult operation manual</p>	
		Dimension:	IEC 60072	Weld Constr:	ISO 8015		
		Tolerance:	ISO 286	Castings:	ISO 8062		
		Key:	IEC 60072				