

1

2

3

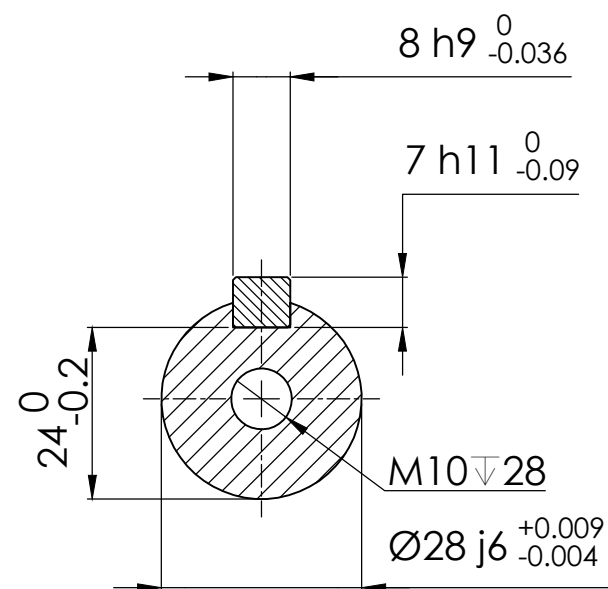
4

5

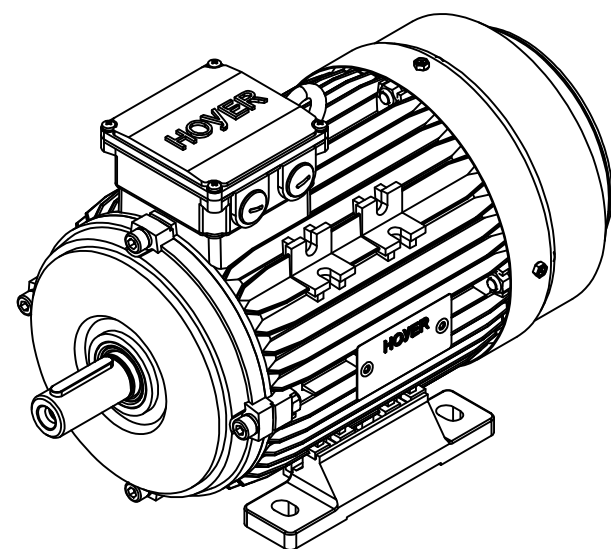
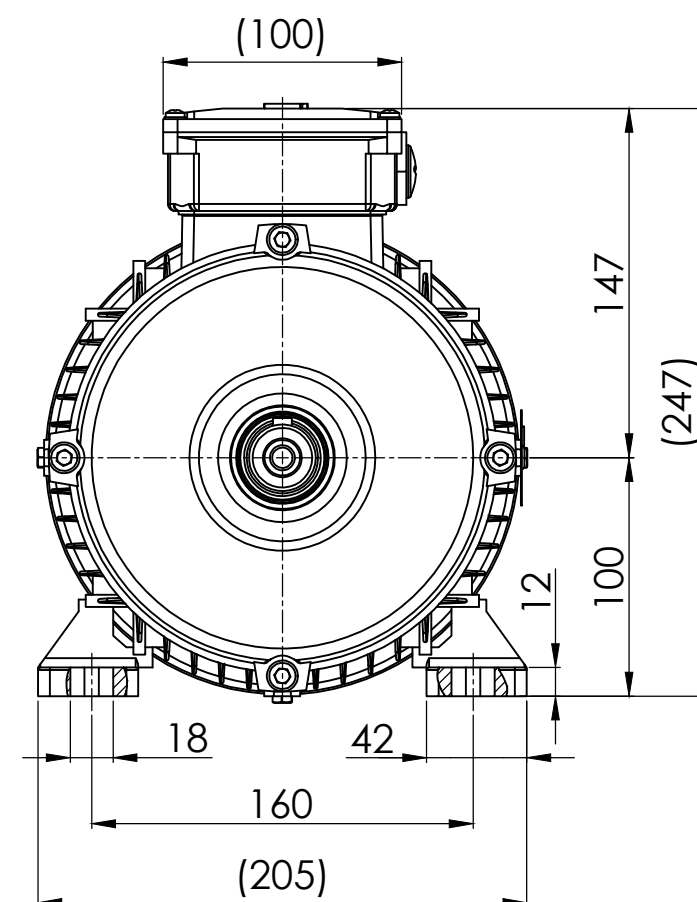
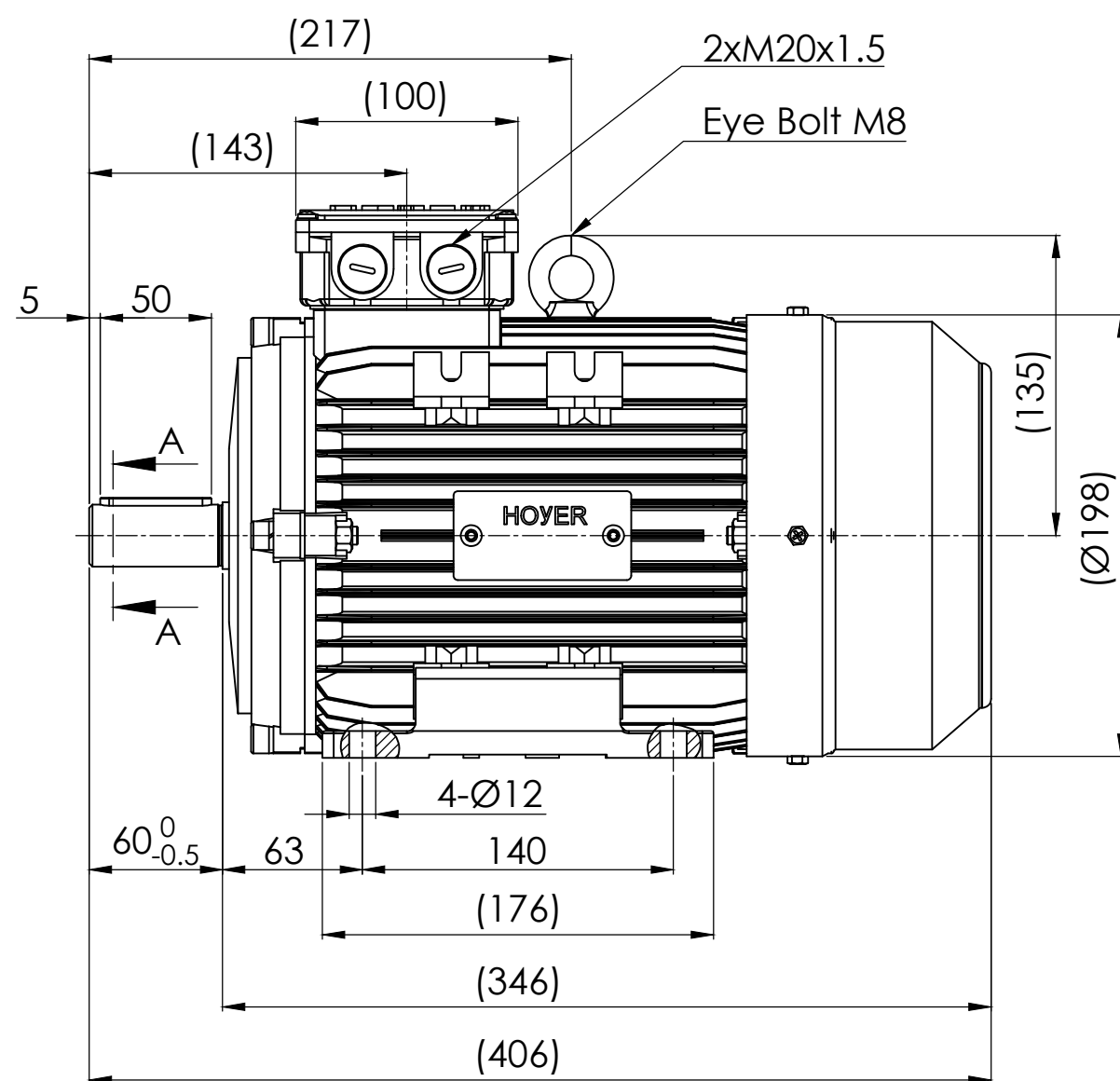
6

7

8



SECTION A-A
SCALE 3:1



Note:

1. All dimensions are in mm
2. Tolerances not informed on the drawing according to the mounting tolerance table.

Mounting tolerance		HOYER EXCEEDING EXPECTATIONS		Hoyer Motors Over Hadstenvej 42, DK-8370 Hadsten Tel : +45 86982111 Fax: +45 86981779 www.hoyermotors.com			DEBUR AND BREAK SHARP EDGES	DRAWING NOT IN SCALE	
Dimensions range	Tolerance	REV.	LOCATION	DESCRIPTION	DATE	RESP.	APPROVED	OUTLINE DRAWING	
0<D≤400	±10	0	N/A	First issued	16/10/2024	L&T	Hoyer	TITLE: HMA3-100L2-8p-B3	
400<D≤1000	±20							DWG NO.: TD-ID-D3660	
1000<D≤2000	±30							A3	
2000<D≤4000	±35							SCALE:1:5	
4000<D≤8000	±40							Weight: 42.5 kg	
Unit: mm								SHEET 1 OF 1	
		Representation of the machine is illustrative only			Protection:	IEC 60034-5	Machined Part:	ISO 2768	DWG NO.: TD-ID-D3660 A3
		Some features may not be represented			Dimension:	IEC 60072	Weld Constr:	ISO 8015	
		For installation or maintenance, consult operation manual			Tolerance:	ISO 286	Castings:	ISO 8062	
					Key:	IEC 60072			