

1

2

3

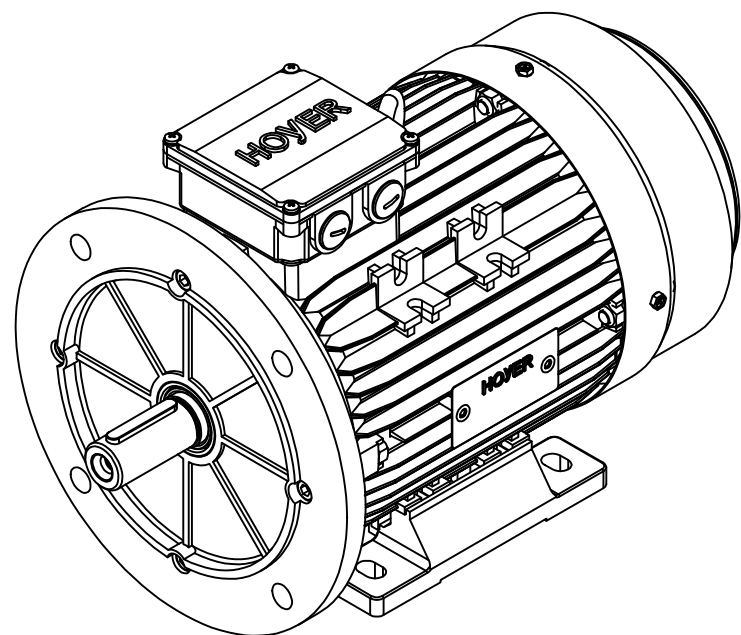
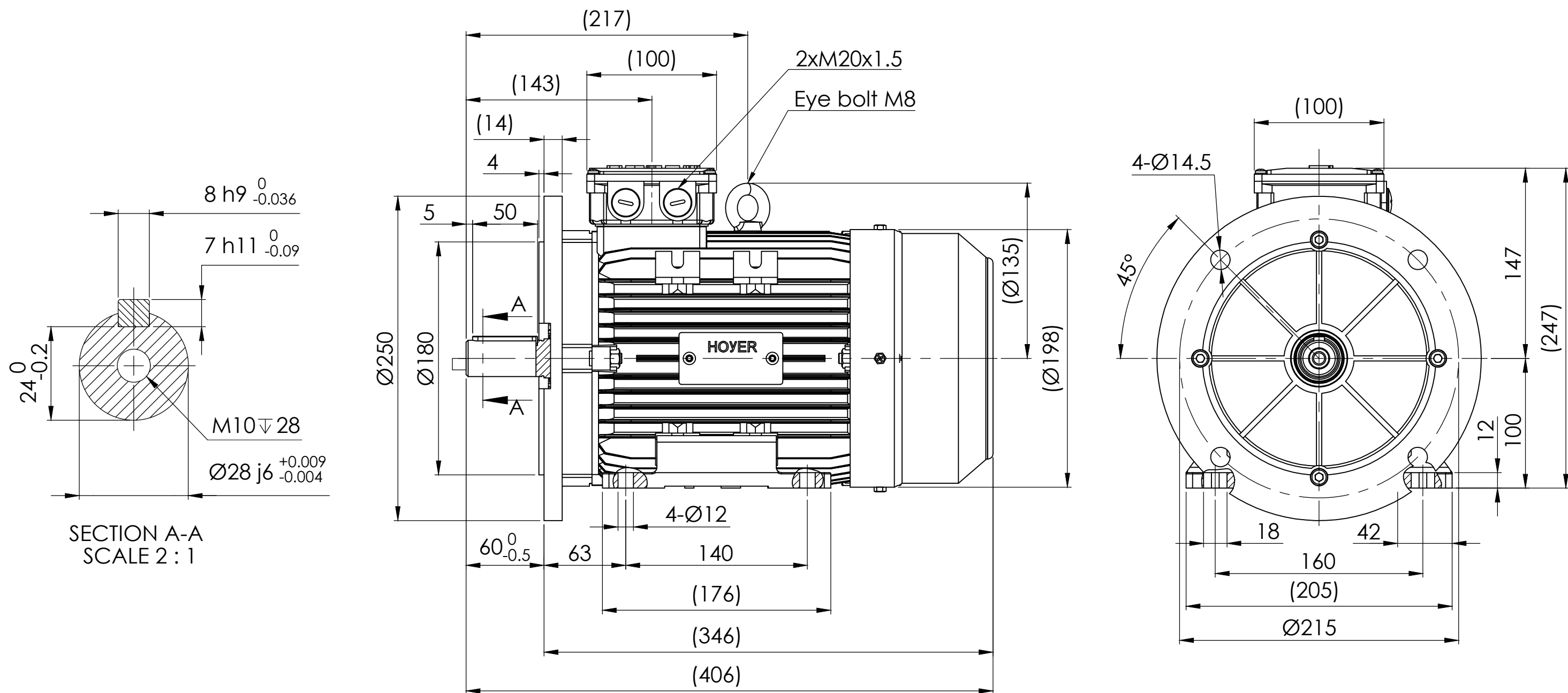
4

5

6



7

8



Note:

- All dimensions are in mm
- Tolerances not informed on the drawing according to the mounting tolerance table.

| Mounting tolerance | | Hoyer Motors | | DEBUR AND BREAK SHARP EDGES | | DRAWING NOT IN SCALE | |
|---|-----------|--|-------------|-----------------------------|------------|----------------------|--------------|
| Dimensions range | Tolerance |  Hoyer Motors Over Hadstenvej 42, DK-8370 Hadsten Tel : +45 86982111 Fax: +45 86981779 www.hoyermotors.com | | | | OUTLINE DRAWING | |
| 0<D≤400 | ±10 | REV. | LOCATION | DESCRIPTION | DATE | RESP. | APPROVED |
| 400<D≤1000 | ±20 | 0 | N/A | First issued | 16/10/2024 | L&T | Hoyer |
| 1000<D≤2000 | ±30 | | | | | | |
| 2000<D≤4000 | ±35 | | | | | | |
| 4000<D≤8000 | ±40 | | | | | | |
| Unit: mm | | | | | | | |
|  Representation of the machine is illustrative only Some features may not be represented For installation or maintenance, consult operation manual | | Protection: | IEC 60034-5 | Machined Part: | ISO 2768 | DWG NO.: TD-ID-D3676 | |
| | | Dimension: | IEC 60072 | Weld Constr: | ISO 8015 | A3 | |
| | | Tolerance: | ISO 286 | Castings: | ISO 8062 | SCALE:1:5 | |
| | | Key: | IEC 60072 | | | Weight: 33 kg | SHEET 1 OF 1 |