

1

2

3

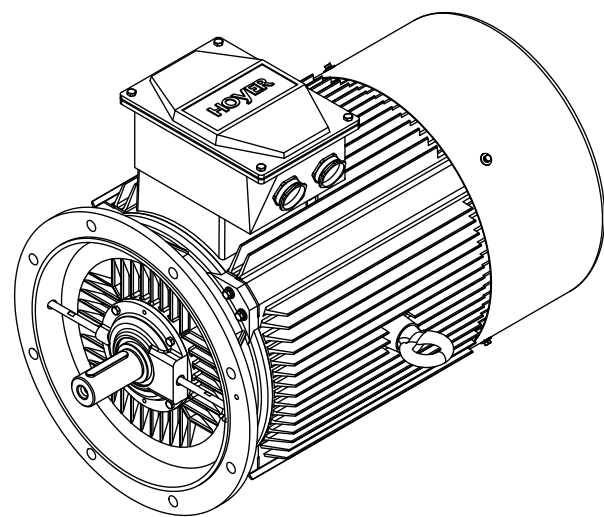
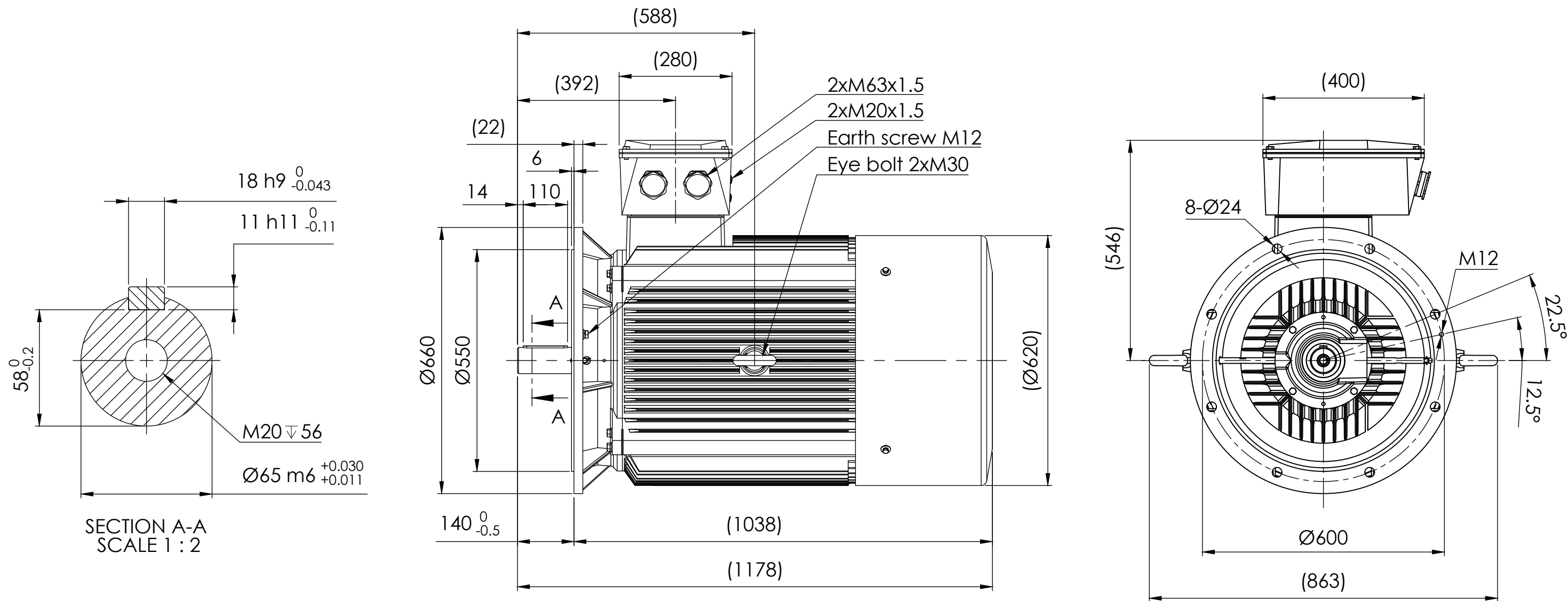
4

5

6



7

8



Note:

- All dimensions are in mm
- Tolerances not informed on the drawing according to the mounting tolerance table.

Mounting tolerance				Hoyer Motors			DEBUR AND BREAK SHARP EDGES		DRAWING NOT IN SCALE	
Dimensions range	Tolerance			REV.	LOCATION	DESCRIPTION	DATE	RESP.	APPROVED	OUTLINE DRAWING
0<D≤400	±10	0	N/A	First issued	02/07/2024	L&T	Hoyer	TITLE: HMC2-315S-2p-B5		
400<D≤1000	±20							DWG NO.: TD-ID-D70016		
1000<D≤2000	±30							A3		
2000<D≤4000	±35							SCALE:1:10		
4000<D≤8000	±40							Weight: 880 kg		
Unit: mm								SHEET 1 OF 1		
 Representation of the machine is illustrative only Some features may not be represented For installation or maintenance, consult operation manual				Protection:	IEC 60034-5	Machined Part:	ISO 2768	Representation of the machine is illustrative only		
				Dimension:	IEC 60072	Weld Constr:	ISO 8015	Representation of the machine is illustrative only		
				Tolerance:	ISO 286	Castings:	ISO 8062	Representation of the machine is illustrative only		
				Key:	IEC 60072			Representation of the machine is illustrative only		