

1

2

3

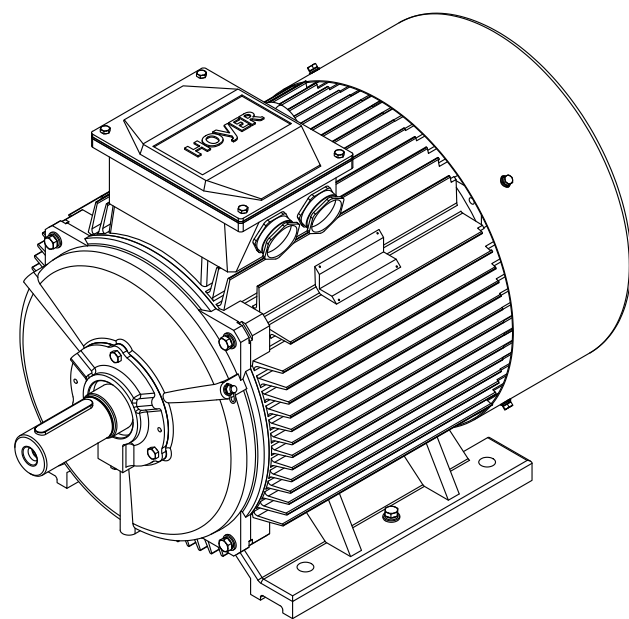
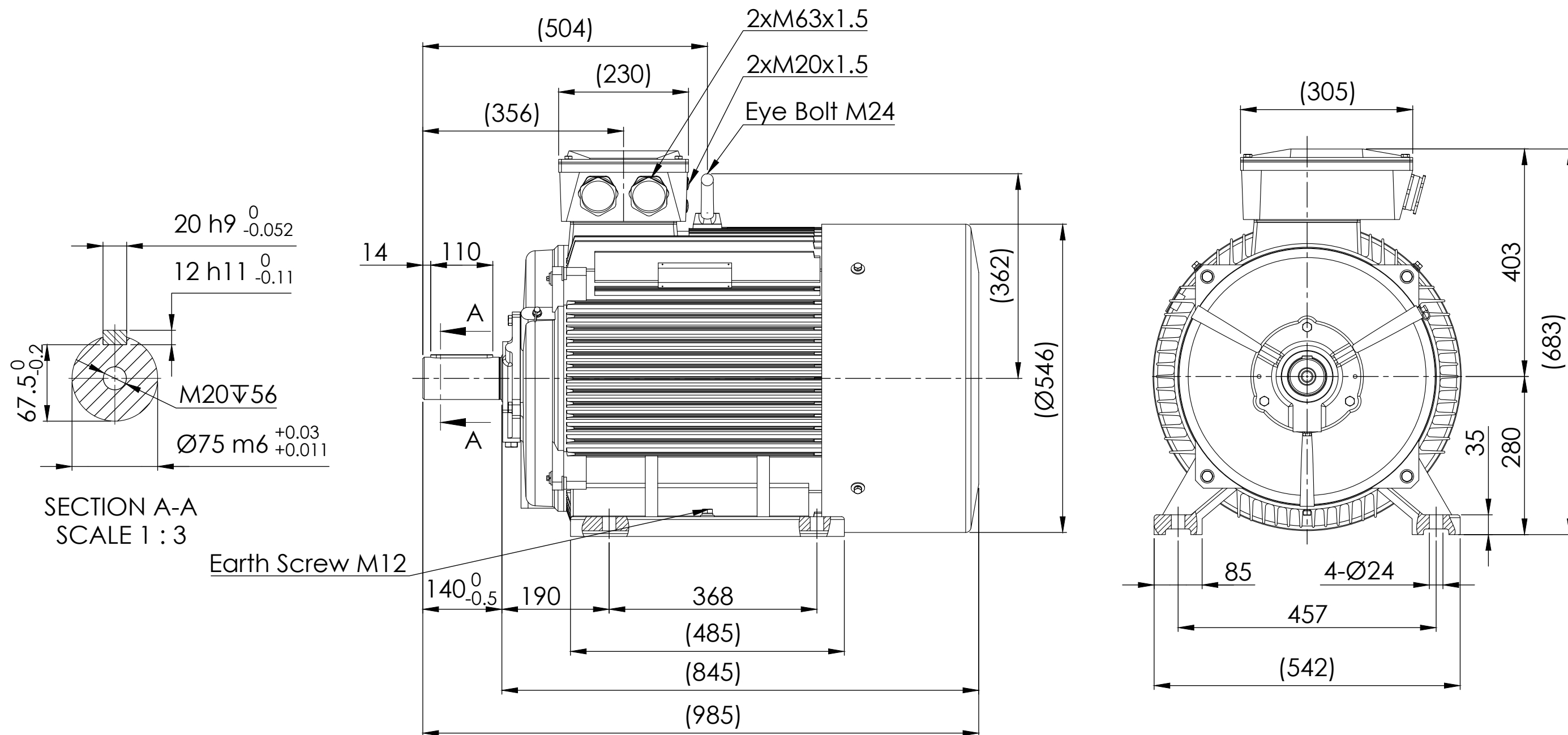
4

5

6

7

8



**Note:**

1. All dimensions are in mm
2. Tolerances not informed on the drawing according to the mounting tolerance table.

| Mounting tolerance  |           | <b>HOYER</b><br>EXCEEDING EXPECTATIONS |          | Hoyer Motors<br>Over Hadstenevej 42, DK-8370 Hadsten<br>Tel : +45 86982111<br>Fax: +45 86981779<br>www.hoyermotors.com |             |                | DEBUR AND<br>BREAK SHARP<br>EDGES | DRAWING NOT IN SCALE      |  |
|---|-----------|--|----------|--|-------------|----------------|-----------------------------------|---------------------------|--|
| Dimensions range  | Tolerance | REV.                                   | LOCATION | DESCRIPTION  | DATE        | RESP.          | APPROVED                          | OUTLINE DRAWING           |  |
| 0<D≤400   | ±10       | 0                                      | N/A      | First issued   | 26/06/2024  | L&T            | Hoyer                             | TITLE:<br>HMC2-280S-6p-B3 |  |
| 400<D≤1000  | ±20       |  |          |  |             |                |                                   | DWG NO.:<br>TD-ID-D2270   |  |
| 1000<D≤2000   | ±30       |  |          |  |             |                |                                   | A3                        |  |
| 2000<D≤4000   | ±35       |  |          |  |             |                |                                   | SCALE:1:10                |  |
| 4000<D≤8000   | ±40       |  |          |  |             |                |                                   | Weight: 495 kg            |  |
| Unit: mm  |           |  |          |  |             |                |                                   | SHEET 1 OF 1              |  |
| Representation of the machine is illustrative only<br>Some features may not be represented<br>For installation or maintenance, consult operation manual |           |  |          | Protection:  | IEC 60034-5 | Machined Part: | ISO 2768                          | DWG NO.:<br>TD-ID-D2270   |  |
|   |           |  |          | Dimension:   | IEC 60072   | Weld Constr:   | ISO 8015                          |                           |  |
|   |           |  |          | Tolerance:   | ISO 286     | Castings:      | ISO 8062                          |                           |  |
|   |           |  |          | Key:   | IEC 60072   |                |                                   |                           |  |