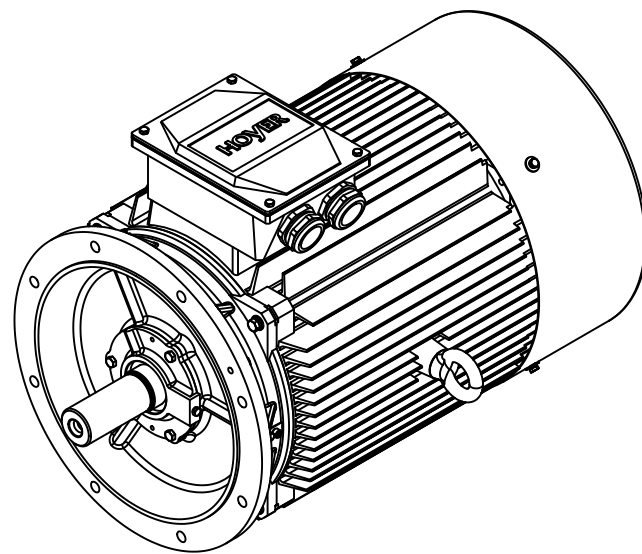
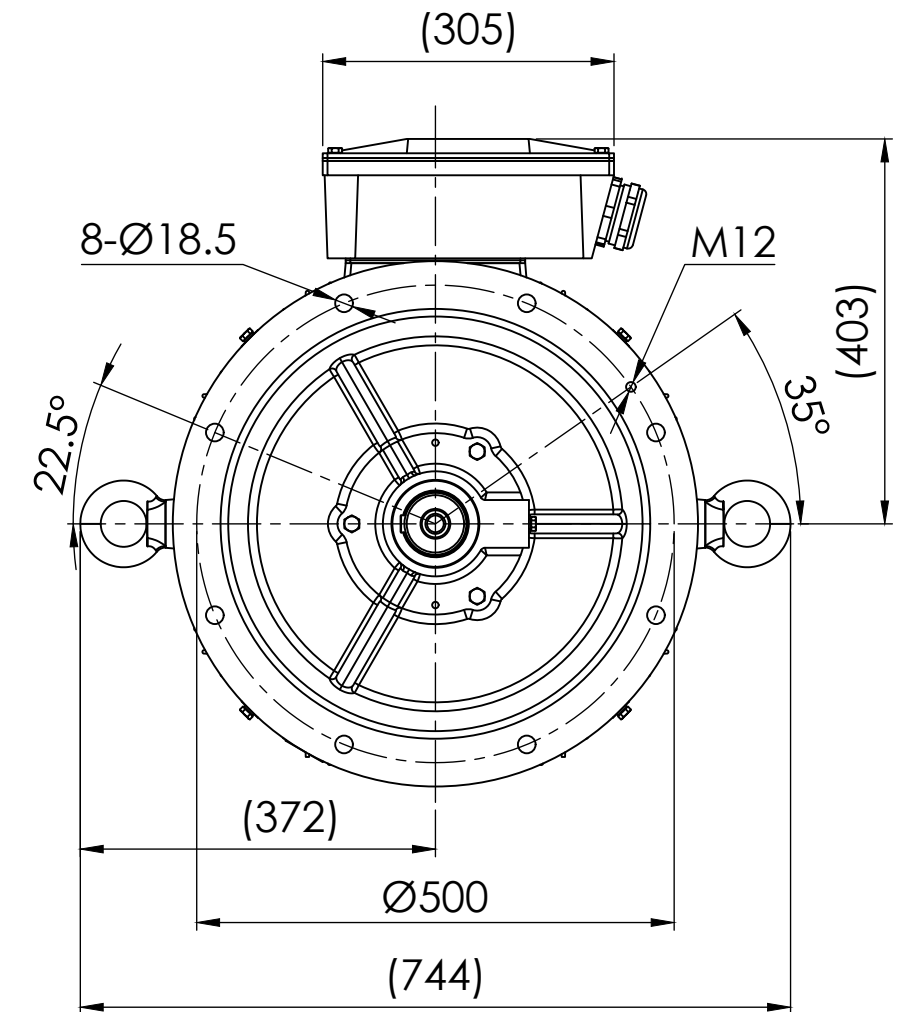
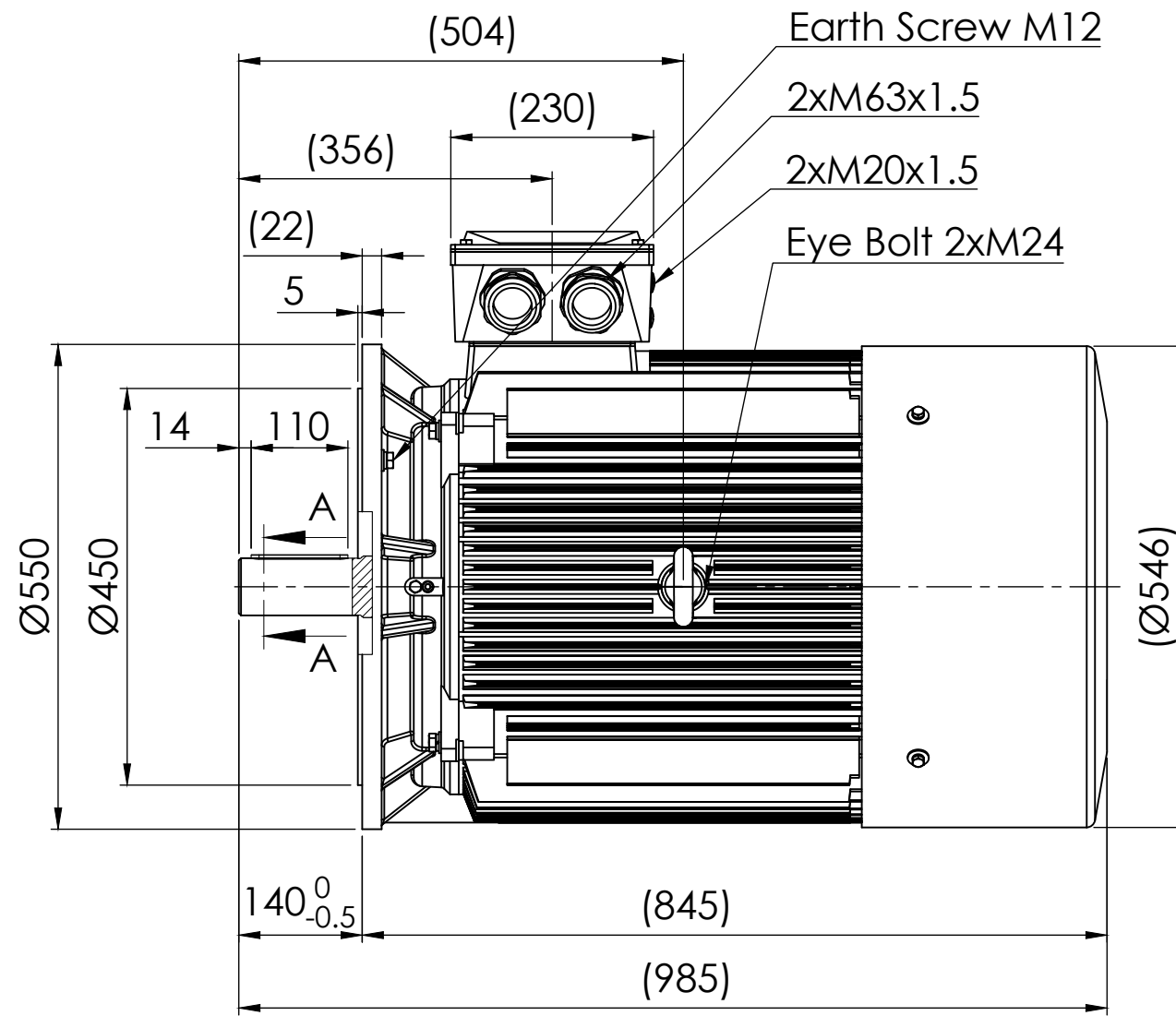




SECTION A-A  
SCALE 2:1



Note:

- All dimensions are in mm
- Tolerances not informed on the drawing according to the mounting tolerance table.

Mounting tolerance			Hoyer Motors				DEBUR AND BREAK SHARP EDGES		DRAWING NOT IN SCALE	
Dimensions range	Tolerance		Over Hadstenevej 42, DK-8370 Hadsten						OUTLINE DRAWING	
0<D≤400	±10		REV.	LOCATION	DESCRIPTION	DATE	RESP.	APPROVED	TITLE: <b>HMC2-280S-4p-B5</b>	
400<D≤1000	±20		0	N/A	First issued	27/06/2024	L&T	Hoyer		
1000<D≤2000	±30									
2000<D≤4000	±35									
4000<D≤8000	±40							DWG NO.: TD-ID-D70059		
Unit: mm								A3		
 Representation of the machine is illustrative only Some features may not be represented For installation or maintenance, consult operation manual		Protection:		IEC 60034-5	Machined Part:		ISO 2768	SCALE:1:20		
		Dimension:		IEC 60072	Weld Constr:		ISO 8015	Weight: 552 kg		
		Tolerance:		ISO 286	Castings:		ISO 8062	SHEET 1 OF 1		
		Key:		IEC 60072						