

A

B

C

D

E

F

A

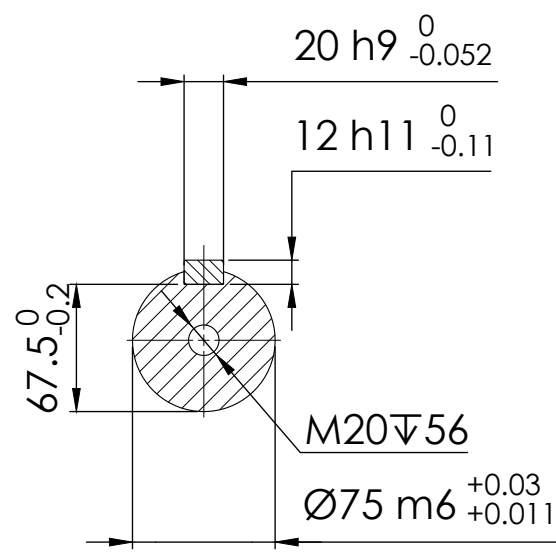
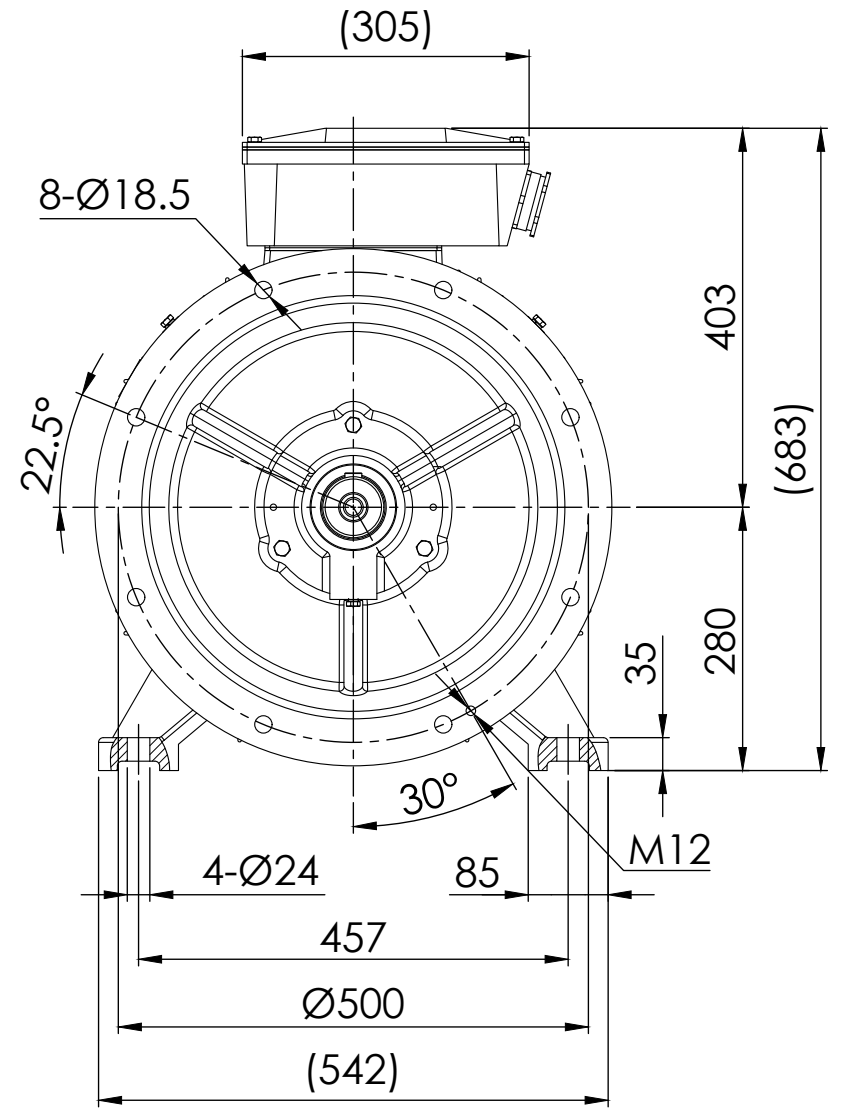
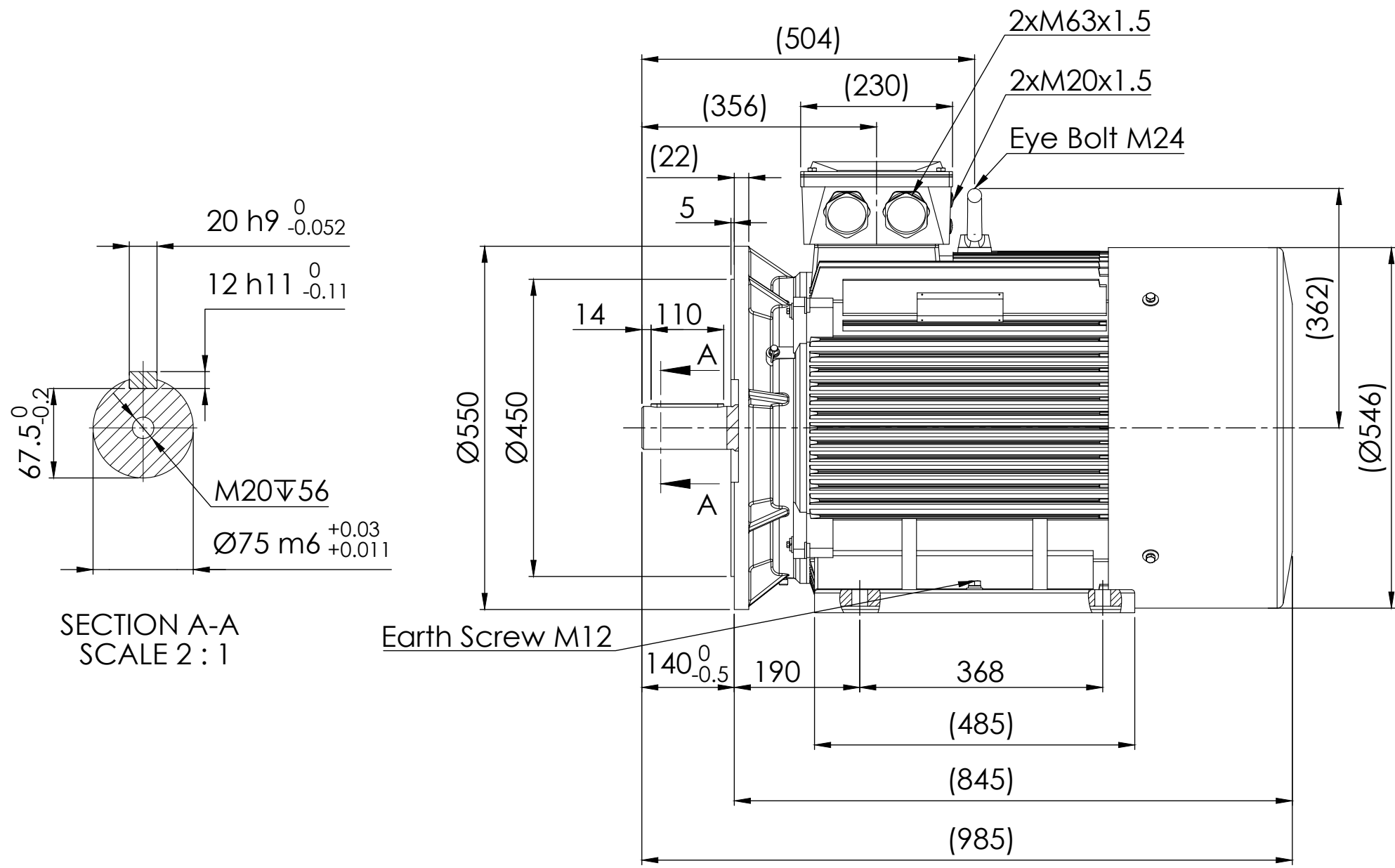
B

C

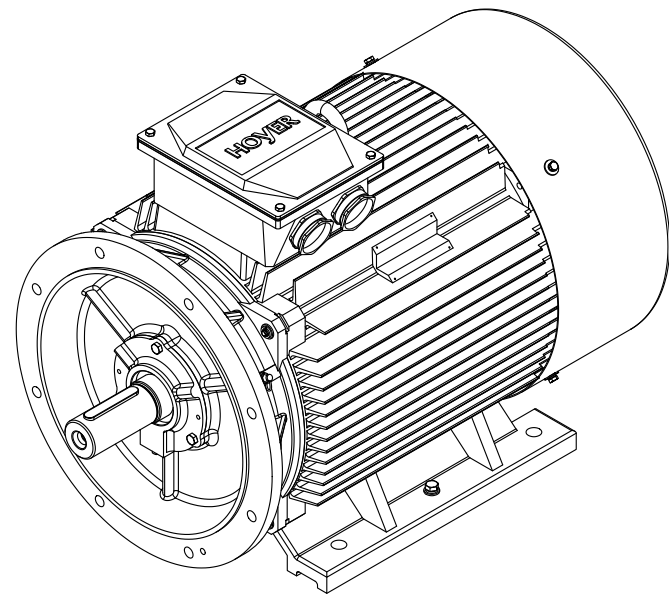
D

E

F




SECTION A-A  
SCALE 2 : 1



Note:

- 1.All dimensions are in mm
- 2.Tolerances not informed on the drawing according to the mounting tolerance table.

Mounting tolerance		 <p><b>HOYER</b> EXCEEDING EXPECTATIONS</p>	Hoyer Motors		DEBUR AND BREAK SHARP EDGES		DRAWING NOT IN SCALE		
Dimensions range	Tolerance		Over Hadstenevej 42, DK-8370 Hadsten				OUTLINE DRAWING		
0<D≤400	±10		Tel : +45 86982111				TITLE:		
400<D≤1000	±20		REV.	LOCATION	DESCRIPTION	DATE	RESP.	APPROVED	HMC2-280S-4p-B35
1000<D≤2000	±30		0	N/A	First issued	26/06/2024	L&T	Hoyer	
2000<D≤4000	±35								
4000<D≤8000	±40								
Unit: mm								DWG NO.:	A3
Representation of the machine is illustrative only		Protection: IEC 60034-5		Machined Part: ISO 2768		SCALE:1:10		Weight: 552 kg	
Some features may not be represented		Dimension: IEC 60072		Weld Constr: ISO 8015		SHEET 1 OF 1			
For installation or maintenance, consult operation manual		Tolerance: ISO 286		Castings: ISO 8062					
Key: IEC 60072									

