

A

B

C

D

E

F

A

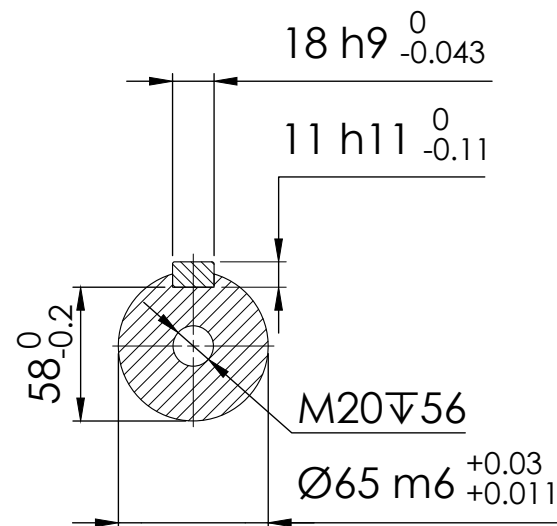
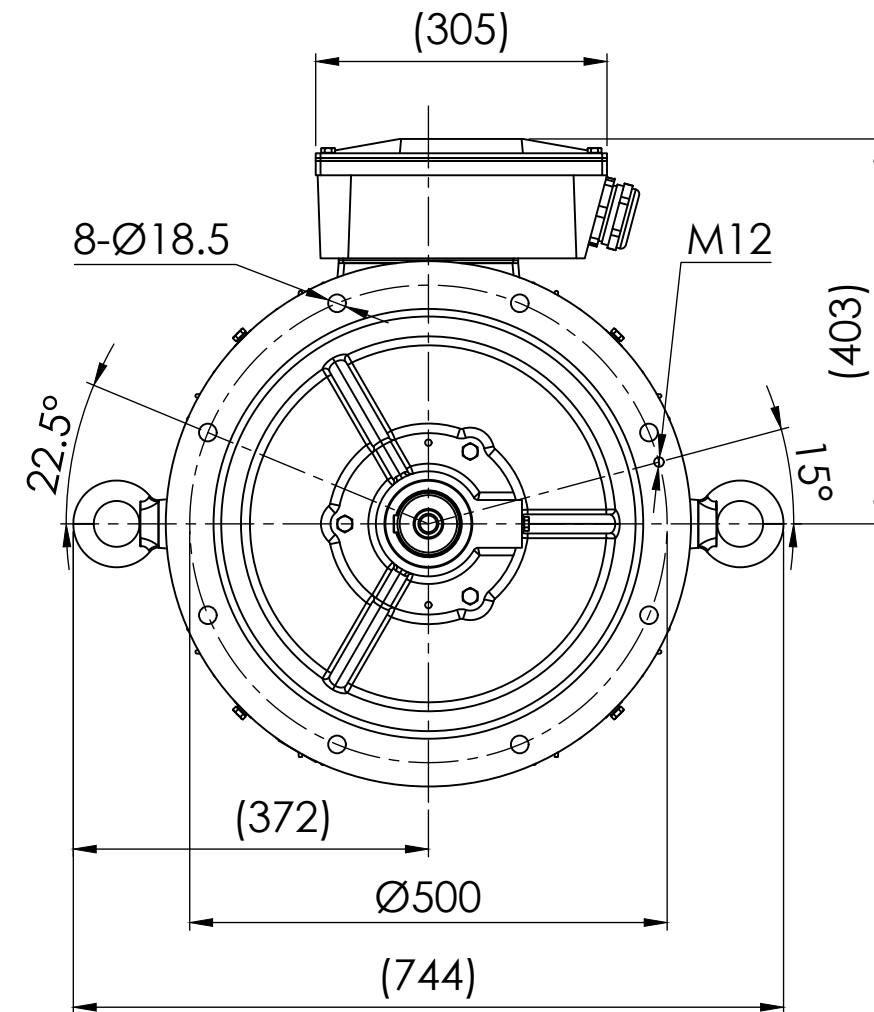
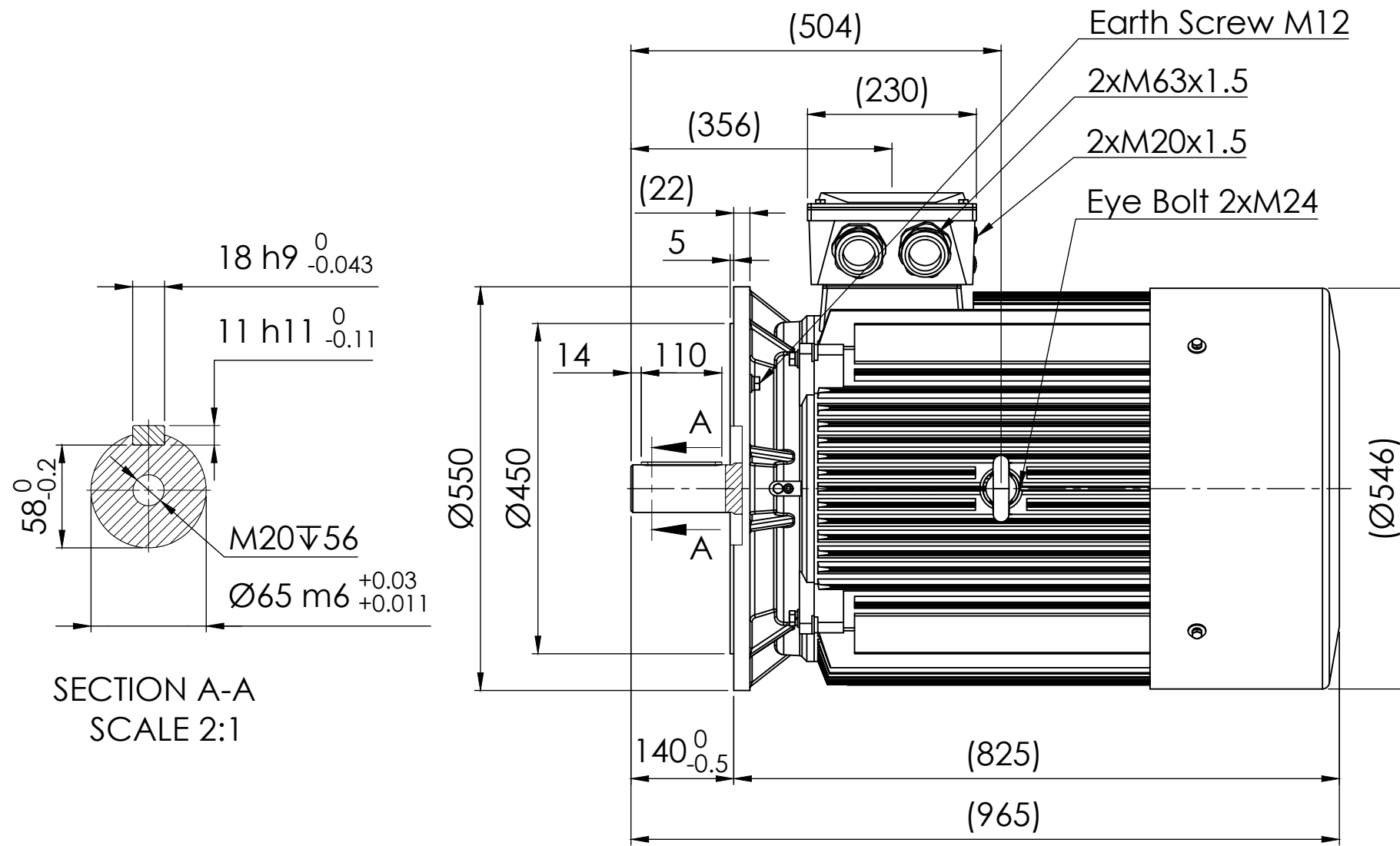
B

C

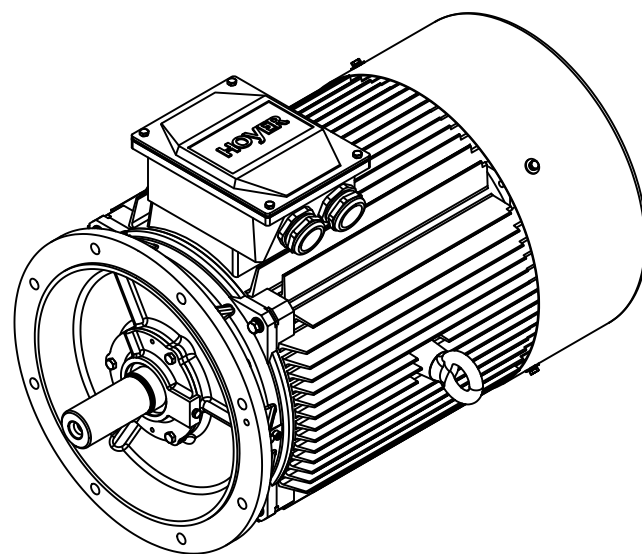
D

E

F




SECTION A-A
SCALE 2:1



Note:

1. All dimensions are in mm
2. Tolerances not informed on the drawing according to the mounting tolerance table.

Mounting tolerance				Hoyer Motors		DEBUR AND BREAK SHARP EDGES		DRAWING NOT IN SCALE	
Dimensions range	Tolerance			Over Hadstenevej 42, DK-8370 Hadsten		Tel : +45 86982111		FAX: +45 86981779	
0<D≤400	±10	REV.	LOCATION	DESCRIPTION	DATE	RESP.	APPROVED	TITLE:	
400<D≤1000	±20	0	N/A	First issued	27/06/2024	L&T	Hoyer	HMC2-280M-2p-B5	
1000<D≤2000	±30							DWG NO.:	
2000<D≤4000	±35							TD-ID-D70053	
4000<D≤8000	±40							A3	
Unit: mm								SCALE:1:20	
								Weight: 525 kg	
								SHEET 1 OF 1	



Representation of the machine is illustrative only
Some features may not be represented
For installation or maintenance, consult operation manual

Protection: IEC 60034-5
Machined Part: ISO 2768
Dimension: IEC 60072
Weld Constr: ISO 8015
Tolerance: ISO 286
Castings: ISO 8062
Key: IEC 60072