

A

B

C

D

E

F

A

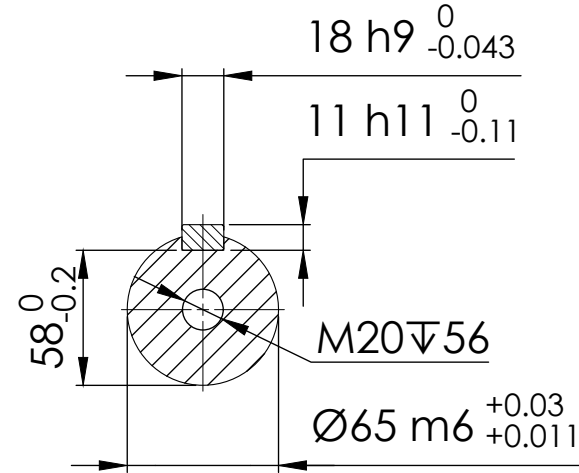
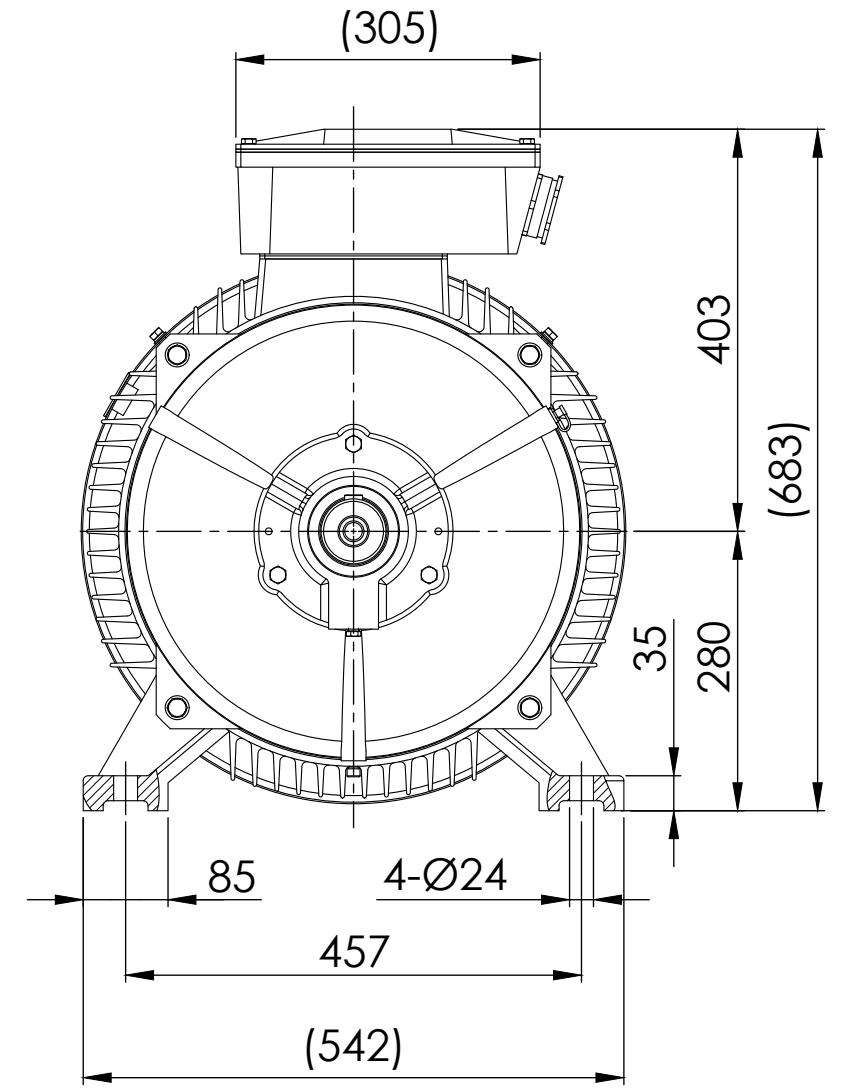
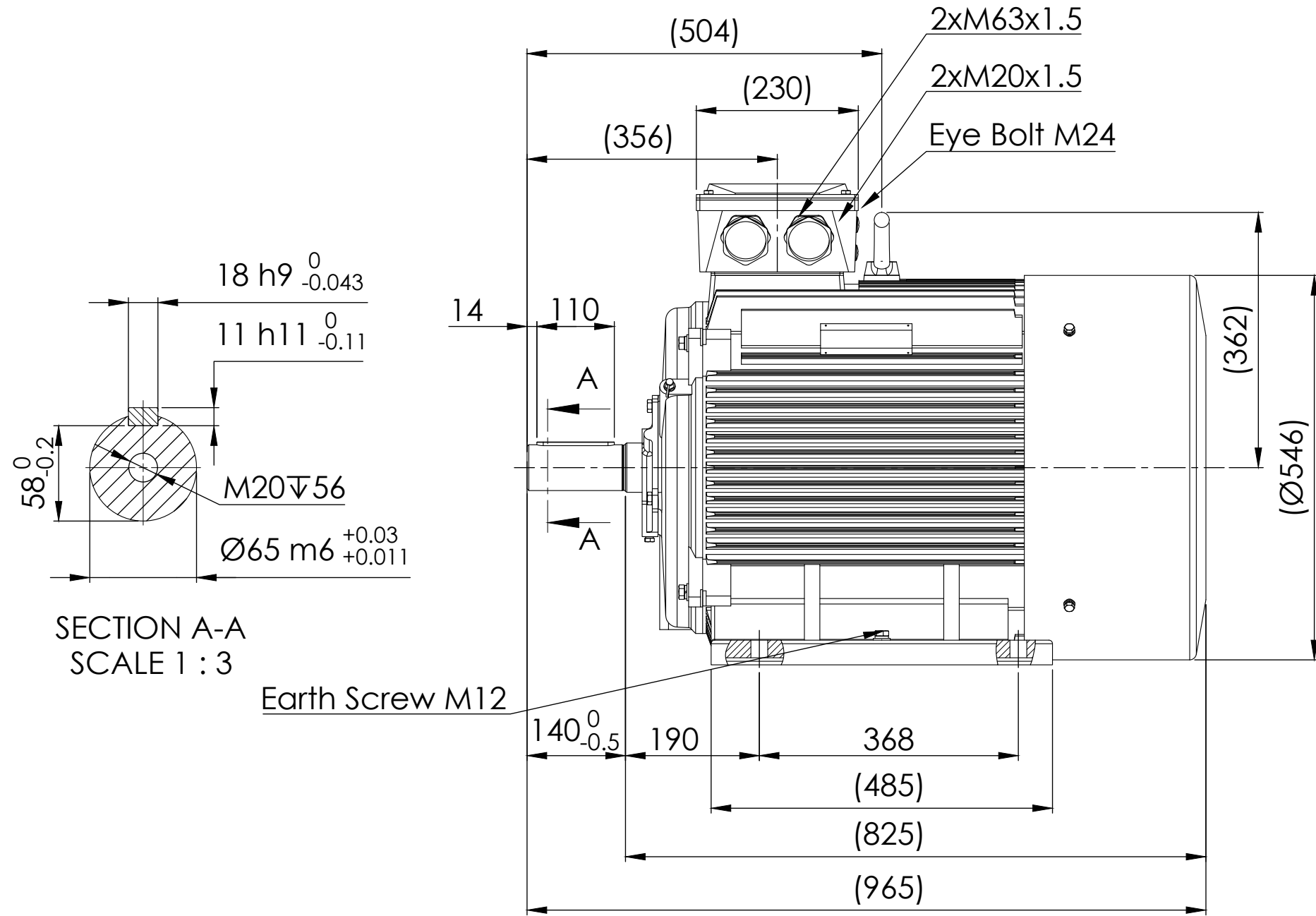
B

C

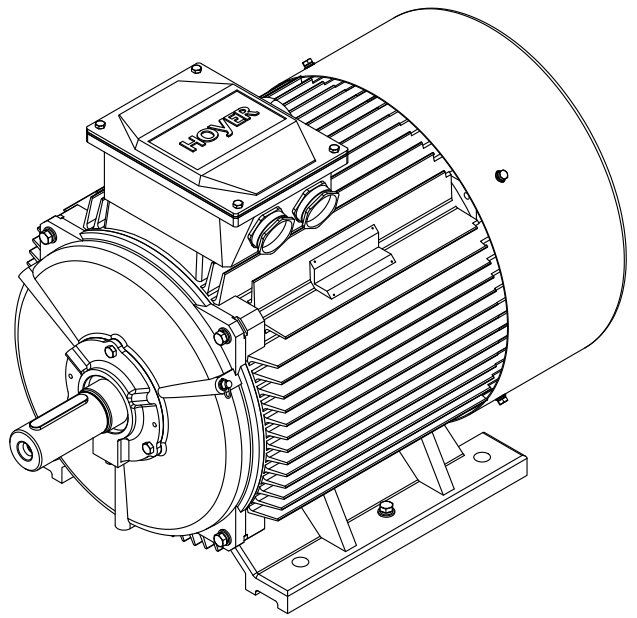
D

E

F





SECTION A-A  
SCALE 1 : 3



Note:

- 1.All dimensions are in mm
- 2.Tolerances not informed on the drawing according to the mounting tolerance table.

Mounting tolerance		 <p><b>Hoyer Motors</b> Over Hadstenevej 42, DK-8370 Hadsten Tel : +45 86982111 Fax: +45 86981779 www.hoyermotors.com</p>		DEBUR AND BREAK SHARP EDGES		DRAWING NOT IN SCALE	
Dimensions range	Tolerance					OUTLINE DRAWING	
0<D≤400	±10					TITLE:	
400<D≤1000	±20					HMC2-280S-2p-B3	
1000<D≤2000	±30					DWG NO.:	
2000<D≤4000	±35	TD-ID-D70051		A3			
4000<D≤8000	±40	SCALE:1:10		Weight: 525 kg			
Unit: mm		SHEET 1 OF 1					
 Representation of the machine is illustrative only Some features may not be represented For installation or maintenance, consult operation manual		Protection:	IEC 60034-5	Machined Part:	ISO 2768		
		Dimension:	IEC 60072	Weld Constr:	ISO 8015		
		Tolerance:	ISO 286	Castings:	ISO 8062		
		Key:	IEC 60072				