

1

2

3

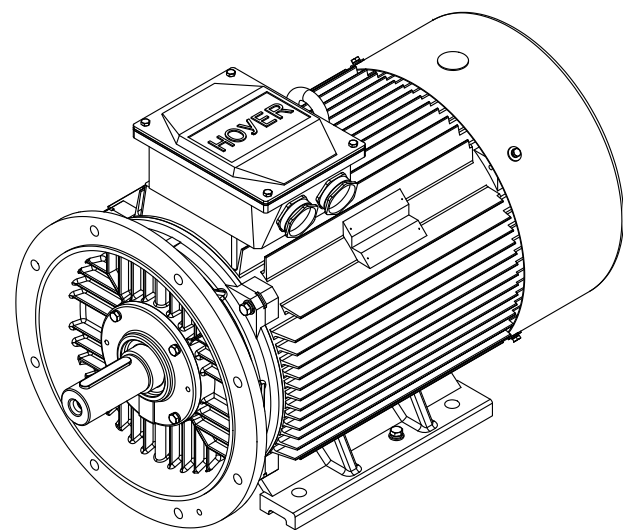
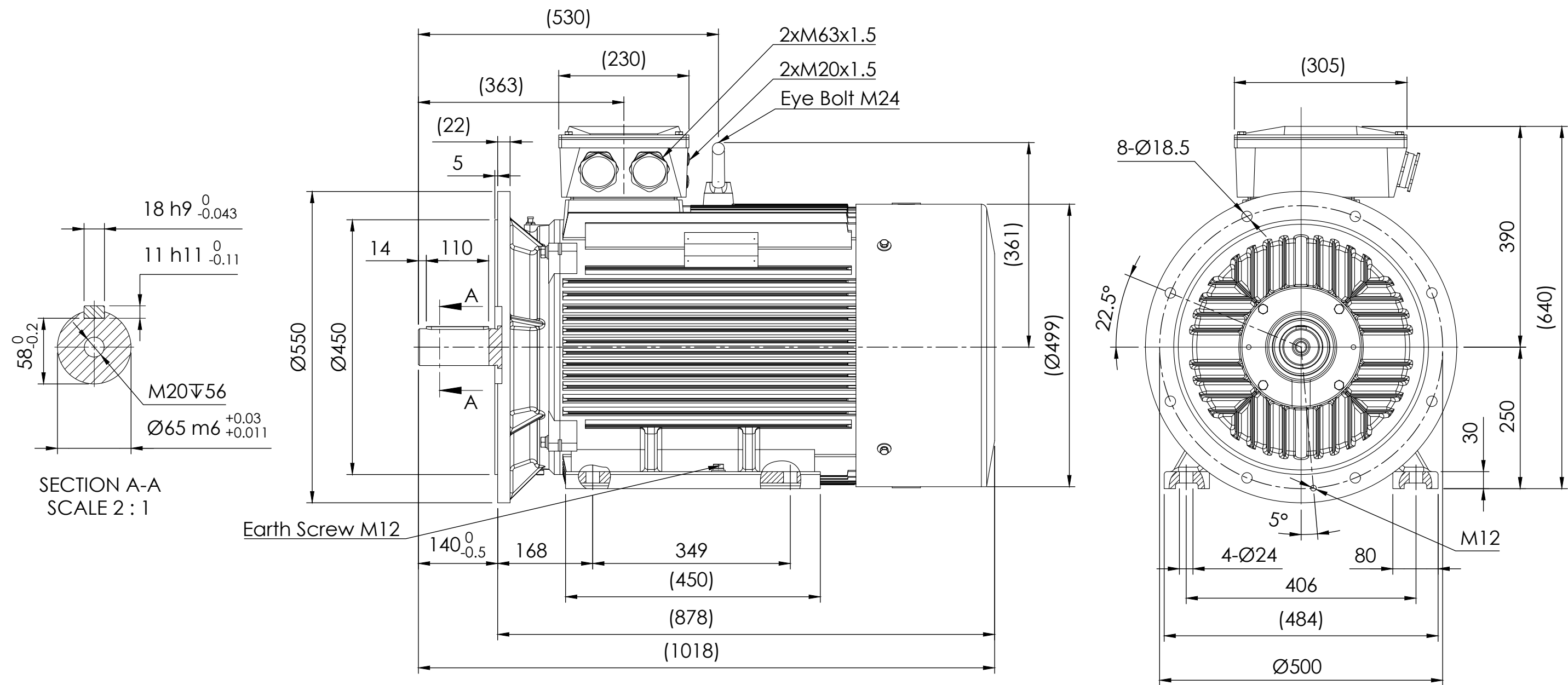
4

5

6

7

8



**Note:**

1. All dimensions are in mm

2. Tolerances not informed on the drawing according to the mounting tolerance table.

Mounting tolerance		<b>HOYER</b> EXCEEDING EXPECTATIONS		Hoyer Motors Over Hadstenevej 42, DK-8370 Hadsten Tel : +45 86982111 Fax: +45 86981779 www.hoyermotors.com				DEBUR AND BREAK SHARP EDGES		DRAWING NOT IN SCALE	
Dimensions range	Tolerance	REV.	LOCATION	DESCRIPTION	DATE	RESP.	APPROVED	OUTLINE DRAWING			
0<D≤400	±10	0	N/A	First issued	19/06/2024	L&T	Hoyer	TITLE: HMC2-250M1-4p-B35			
400<D≤1000	±20							DWG NO.: TD-ID-D72134			
1000<D≤2000	±30							SCALE:1:10			
2000<D≤4000	±35							Weight: 521 kg			
4000<D≤8000	±40							SHEET 1 OF 1			
Unit: mm											
Representation of the machine is illustrative only				Protection: IEC 60034-5		Machined Part: ISO 2768		A3			
Some features may not be represented				Dimension: IEC 60072		Weld Constr: ISO 8015					
For installation or maintenance, consult operation manual				Tolerance: ISO 286		Castings: ISO 8062					
				Key: IEC 60072							