

1

2

3

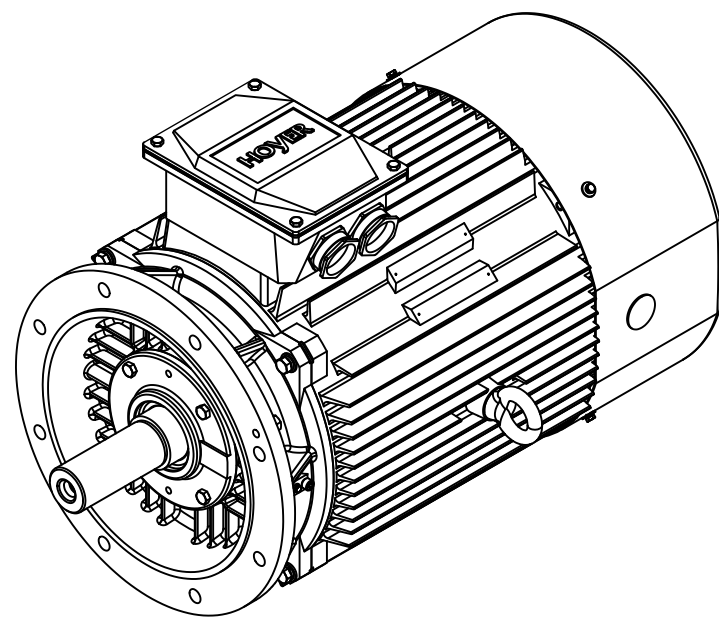
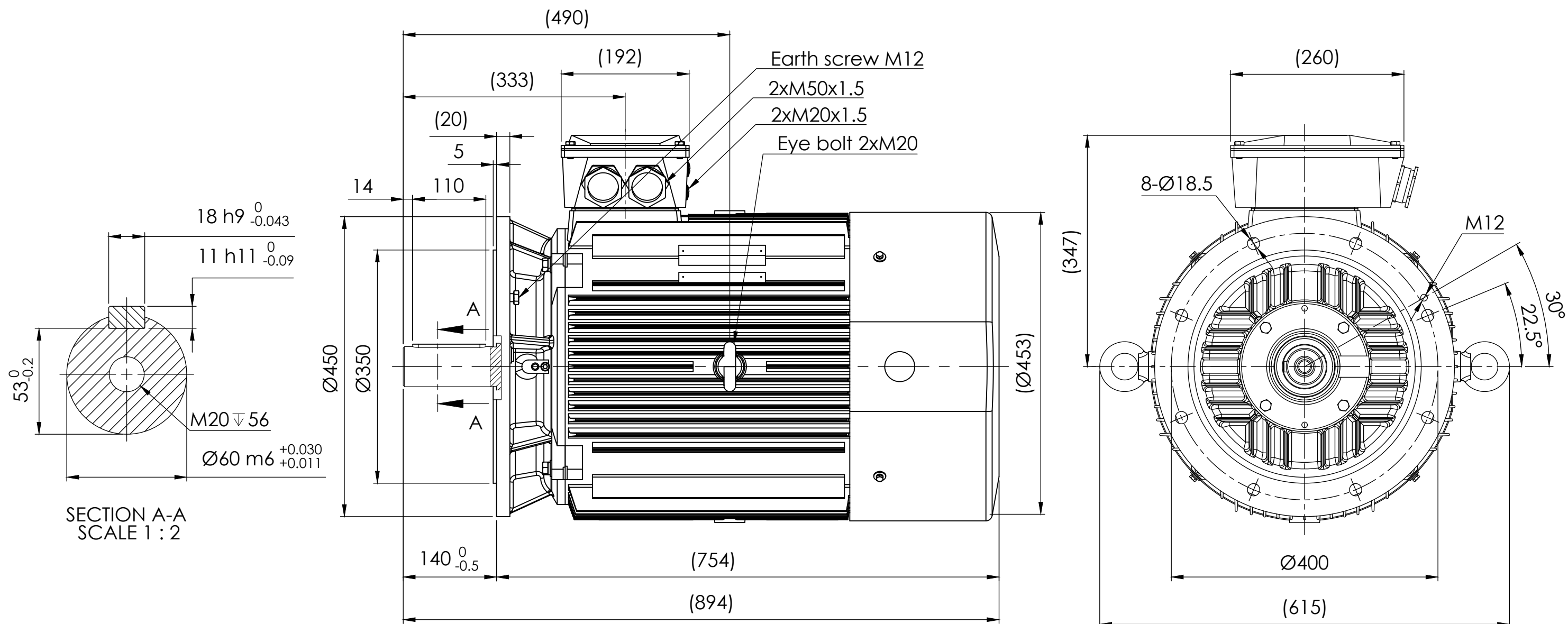
4

5

6



7

8



Note:

- 1.All dimensions are in mm
- 2.Tolerances not informed on the drawing according to the mounting tolerance table.

Mounting tolerance		 <small>EXCEEDING EXPECTATIONS</small>		Hoyer Motors			DEBUR AND BREAK SHARP EDGES		DRAWING NOT IN SCALE	
Dimensions range	Tolerance			REV.	LOCATION	DESCRIPTION	DATE	RESP.	APPROVED	OUTLINE DRAWING
0<D≤400	±10	0	N/A	First issued	25/06/2024	L&T	Hoyer	TITLE: HMC2-225M1-4p-B5		
400<D≤1000	±20							DWG NO.: TD-ID-D72127 A3		
1000<D≤2000	±30							SCALE:1:5 Weight: 410 kg SHEET 1 OF 1		
2000<D≤4000	±35									
4000<D≤8000	±40									
Unit: mm										
 Representation of the machine is illustrative only Some features may not be represented For installation or maintenance, consult operation manual				Protection: IEC 60034-5		Machined Part: ISO 2768		DWG NO.: TD-ID-D72127 A3 SCALE:1:5 Weight: 410 kg SHEET 1 OF 1		
				Dimension: IEC 60072		Weld Constr: ISO 8015				
				Tolerance: ISO 286		Castings: ISO 8062				
				Key: IEC 60072						