

1

2

3

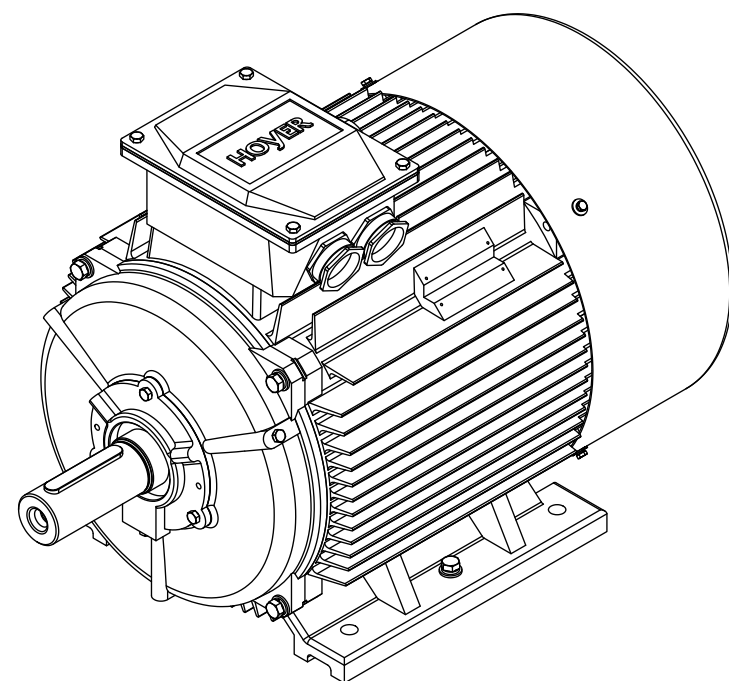
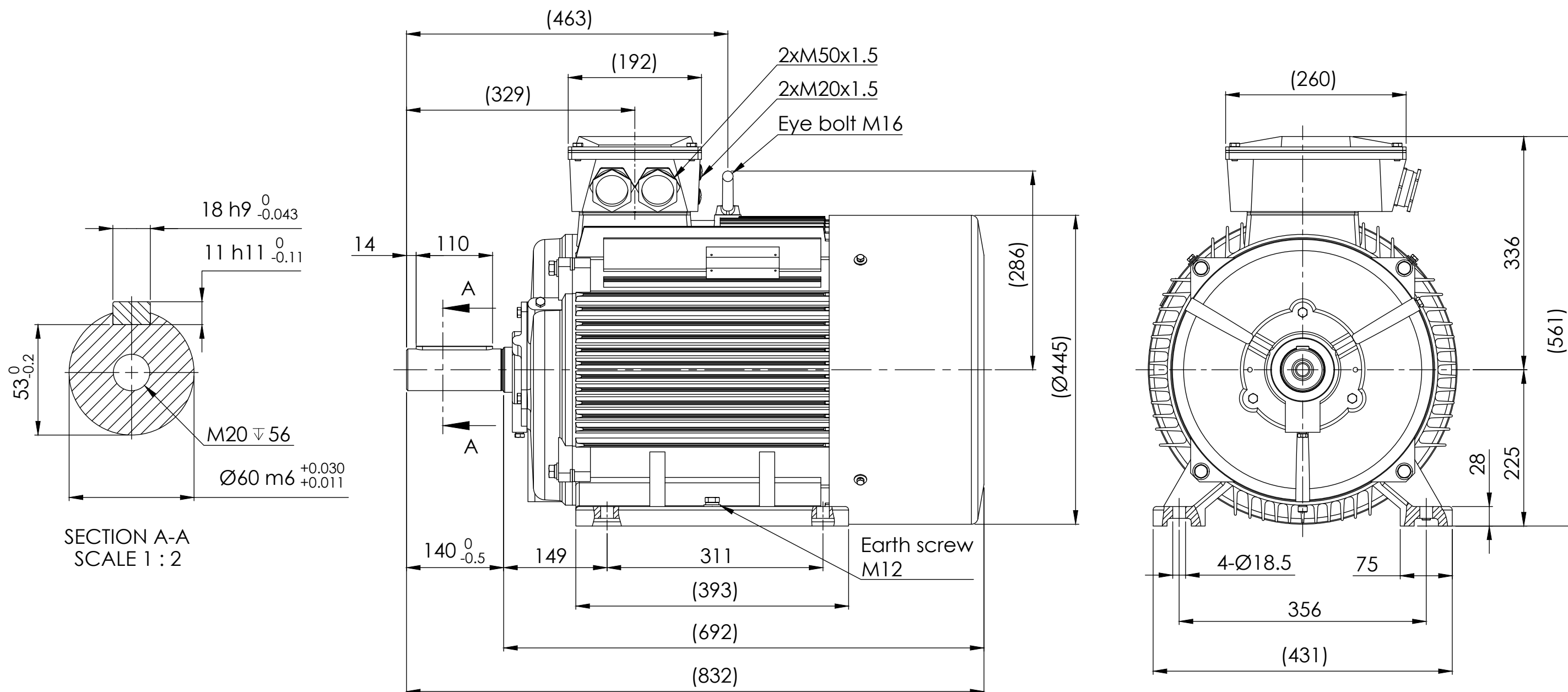
4

5

6



7

8



Note:

1. All dimensions are in mm
2. Tolerances not informed on the drawing according to the mounting tolerance table.

Mounting tolerance				Hoyer Motors			DEBUR AND BREAK SHARP EDGES		DRAWING NOT IN SCALE		
Dimensions range	Tolerance			Over Hadstenvvej 42, DK-8370 Hadsten Tel : +45 86982111 Fax: +45 86981779 www.hoyermotors.com					OUTLINE DRAWING		
0<D≤400	±10	REV.	LOCATION	DESCRIPTION	DATE	RESP.	APPROVED	TITLE: HMC2-225M-4p-B3			
400<D≤1000	±20	0	N/A	First issued	17/06/2024	L&T	Hoyer				
1000<D≤2000	±30										
2000<D≤4000	±35										
4000<D≤8000	±40							DWG NO.: TD-ID-D70031 A3			
Unit: mm								SCALE:1:10 Weight: 330 kg SHEET 1 OF 1			
				Representation of the machine is illustrative only		Protection: IEC 60034-5		Machined Part: ISO 2768			
				Some features may not be represented		Dimension: IEC 60072		Weld Constr: ISO 8015			
				For installation or maintenance, consult operation manual		Tolerance: ISO 286		Castings: ISO 8062			
				Key: IEC 60072							