

1

2

3

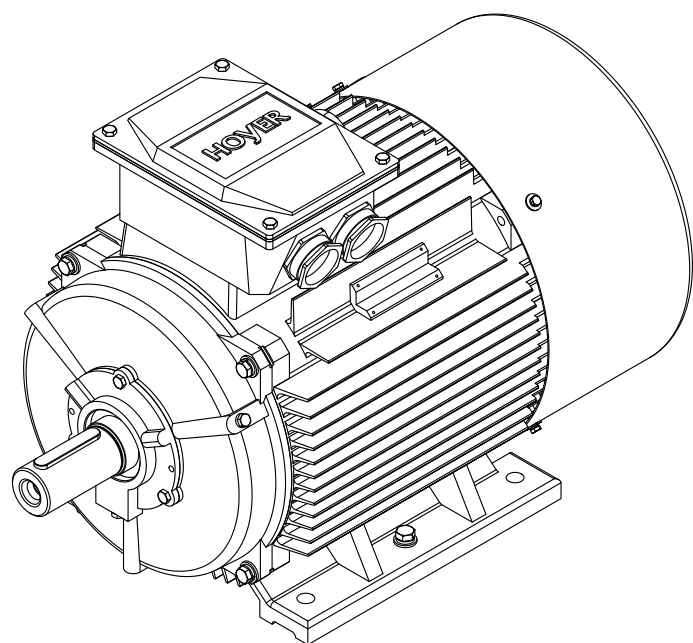
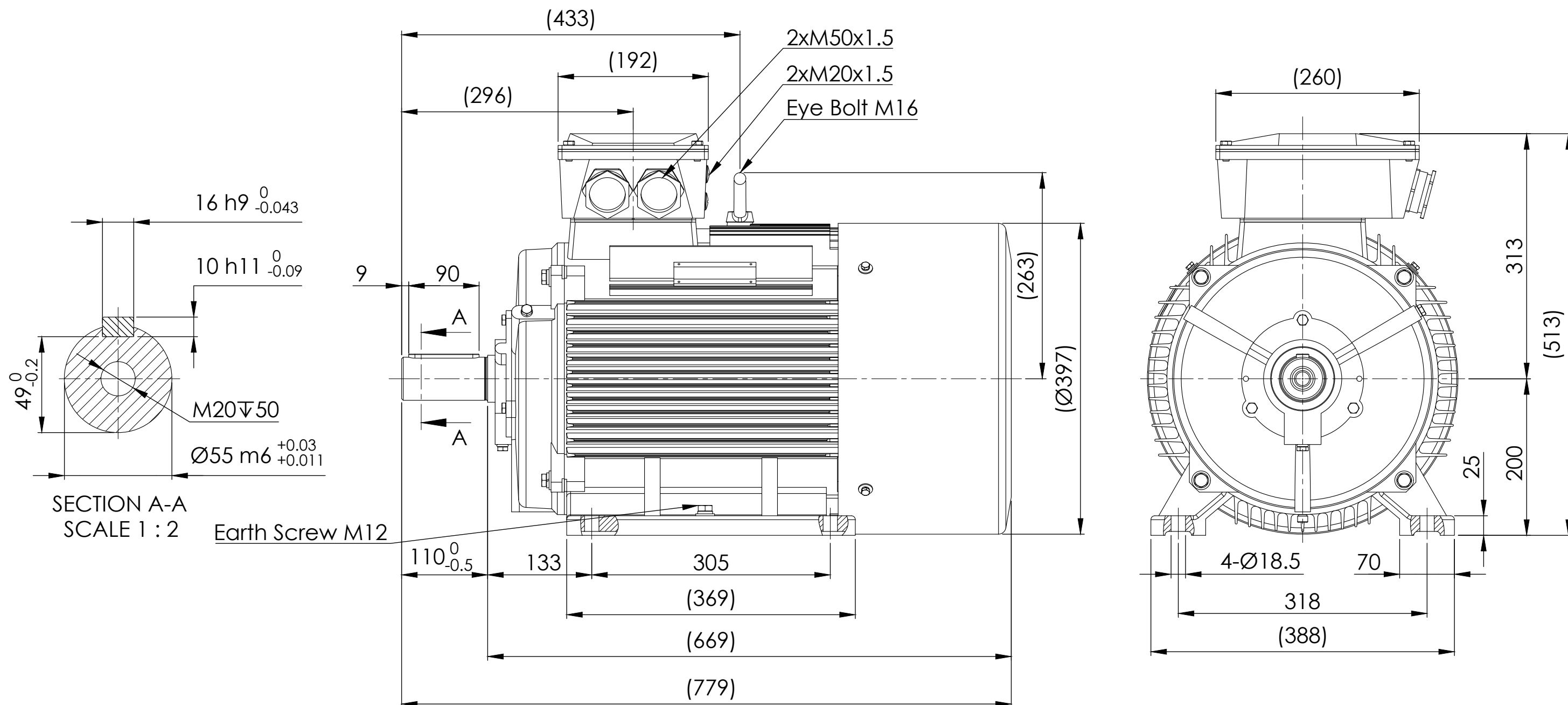
4

5

6

7

8



**Note:**

1. All dimensions are in mm
2. Tolerances not informed on the drawing according to the mounting tolerance table.

Mounting tolerance		<b>HOYER</b> EXCEEDING EXPECTATIONS		Hoyer Motors			DEBUR AND BREAK SHARP EDGES		DRAWING NOT IN SCALE	
Dimensions range	Tolerance	REV.	LOCATION	DESCRIPTION	DATE	RESP.	APPROVED	OUTLINE DRAWING		
0<D≤400	±10	0	N/A	First issued	17/06/2024	L&T	Hoyer	TITLE: HMC2-200L2-6p-B3		
400<D≤1000	±20							DWG NO.: TD-ID-D2236		
1000<D≤2000	±30							A3		
2000<D≤4000	±35							SCALE:1:10		
4000<D≤8000	±40							Weight: 270 kg		
Unit: mm								SHEET 1 OF 1		
Representation of the machine is illustrative only				Protection: IEC 60034-5		Machined Part: ISO 2768		DWG NO.: TD-ID-D2236		
Some features may not be represented				Dimension: IEC 60072		Weld Constr: ISO 8015		A3		
For installation or maintenance, consult operation manual				Tolerance: ISO 286		Castings: ISO 8062		SCALE:1:10		
				Key: IEC 60072				Weight: 270 kg		