

1

2

3

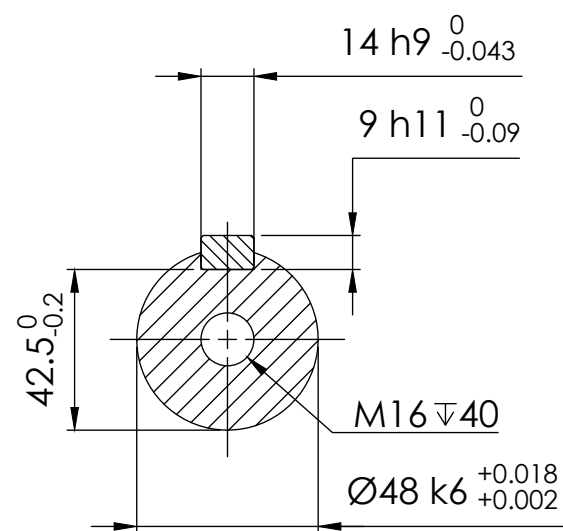
4

5

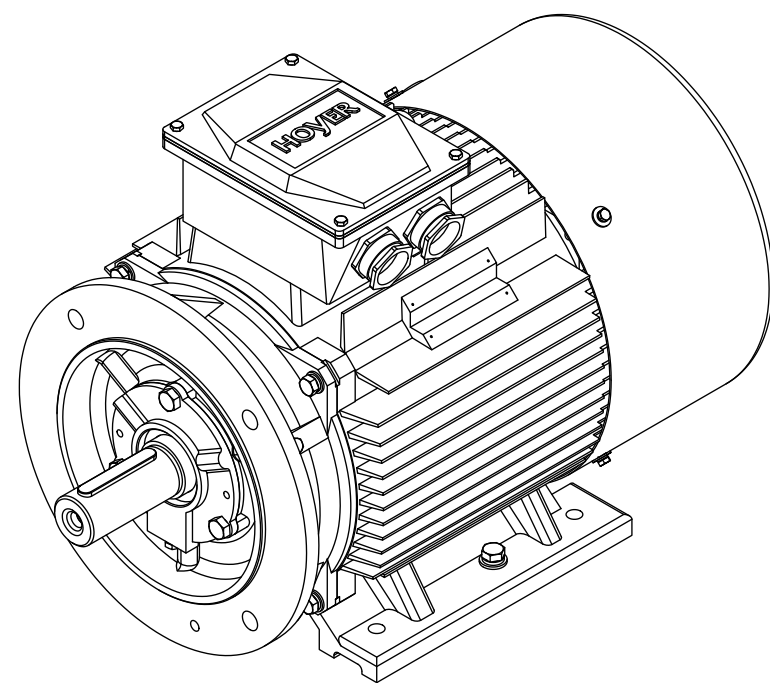
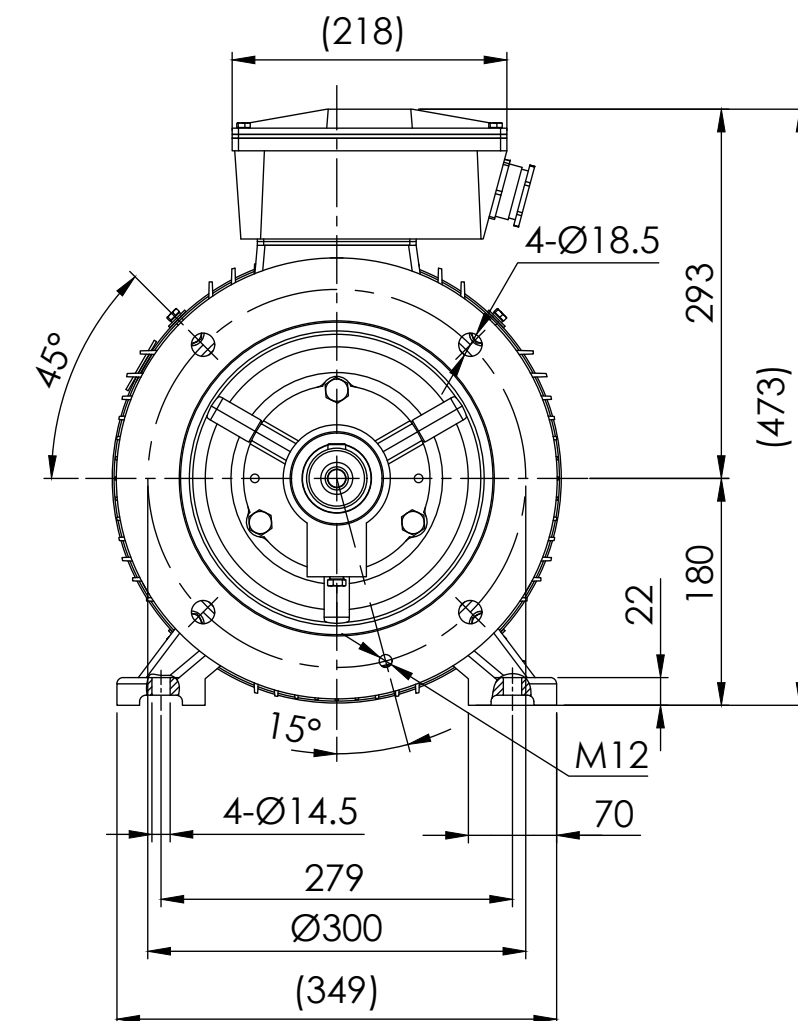
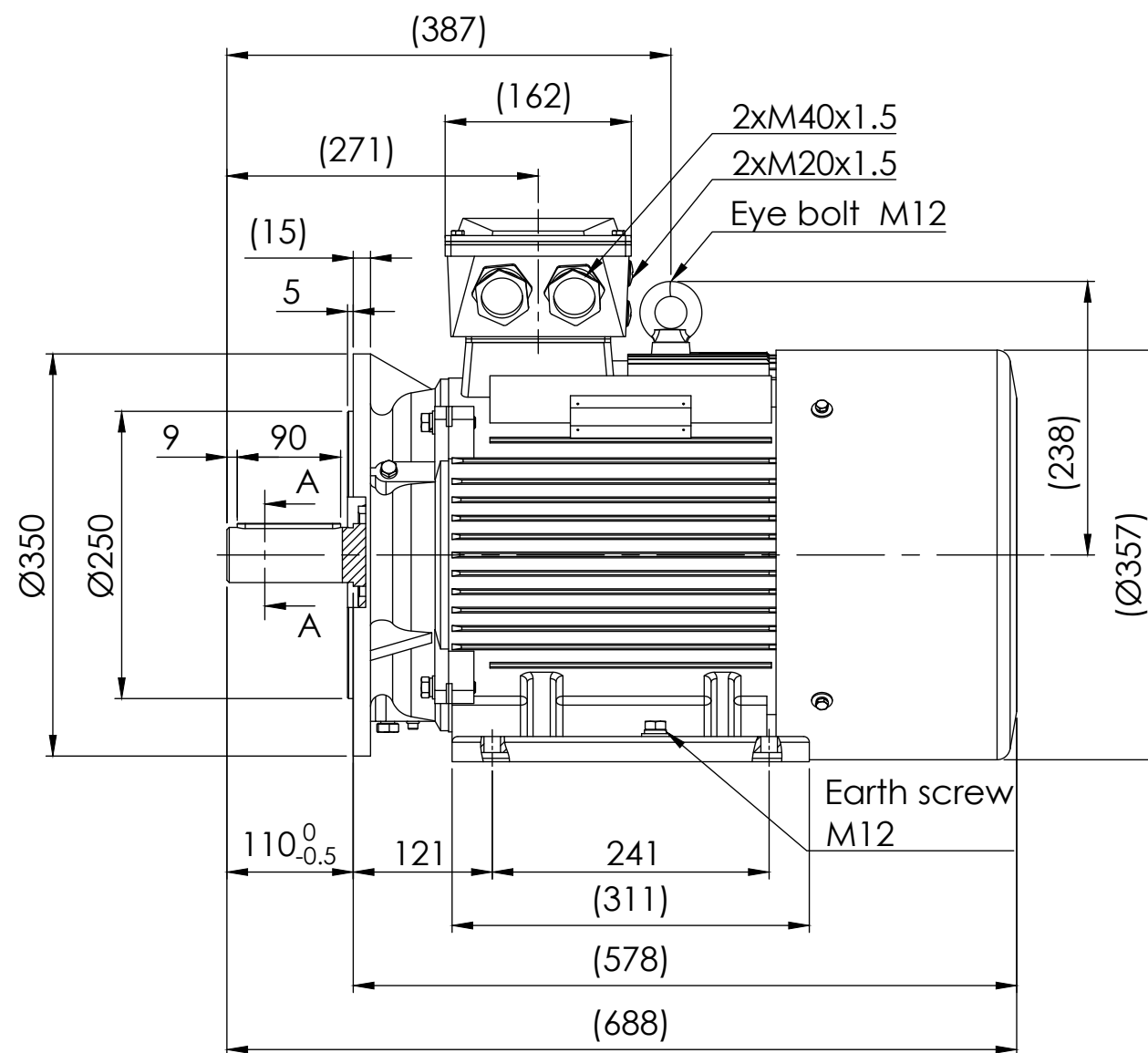
6

7

8





SECTION A-A
SCALE 3:1



Note:

- All dimensions are in mm
- Tolerances not informed on the drawing according to the mounting tolerance table.

Mounting tolerance				Hoyer Motors			DEBUR AND BREAK SHARP EDGES		DRAWING NOT IN SCALE	
Dimensions range	Tolerance			REV.	LOCATION	DESCRIPTION	DATE	RESP.	APPROVED	OUTLINE DRAWING
0<D≤400	±10	0	N/A	First issued	20/06/2024	L&T	Hoyer	TITLE: HMC2-180M-4p-B35		
400<D≤1000	±20							DWG NO.: TD-ID-D2230		
1000<D≤2000	±30							A3		
2000<D≤4000	±35							SCALE:1:10		
4000<D≤8000	±40							Weight: 175 kg		
Unit: mm								SHEET 1 OF 1		
		Representation of the machine is illustrative only			Protection: IEC 60034-5		Machined Part: ISO 2768		DWG NO.: TD-ID-D2230	
		Some features may not be represented			Dimension: IEC 60072		Weld Constr: ISO 8015			
		For installation or maintenance, consult operation manual			Tolerance: ISO 286		Castings: ISO 8062			
				Key: IEC 60072						