

1

2

3

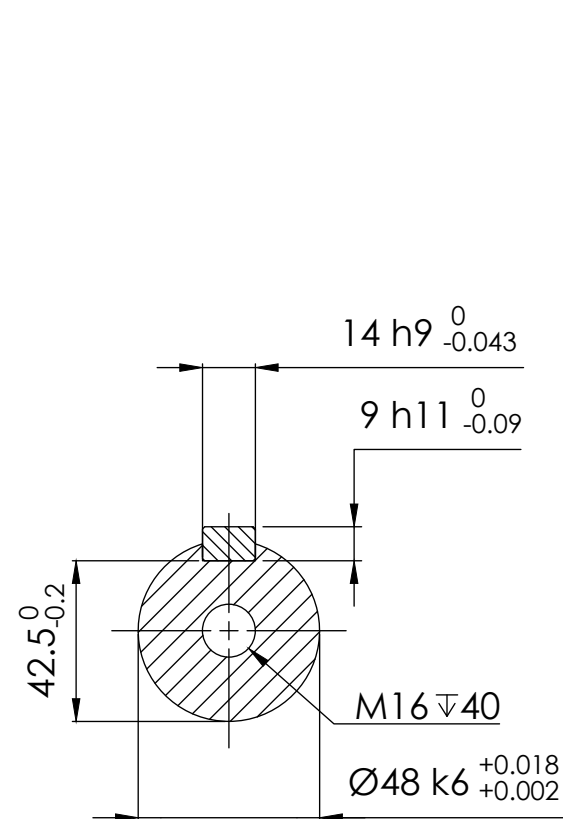
4

5

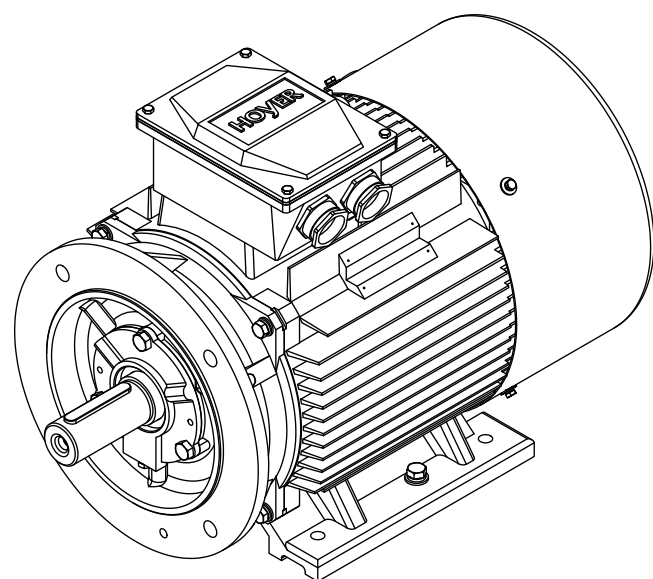
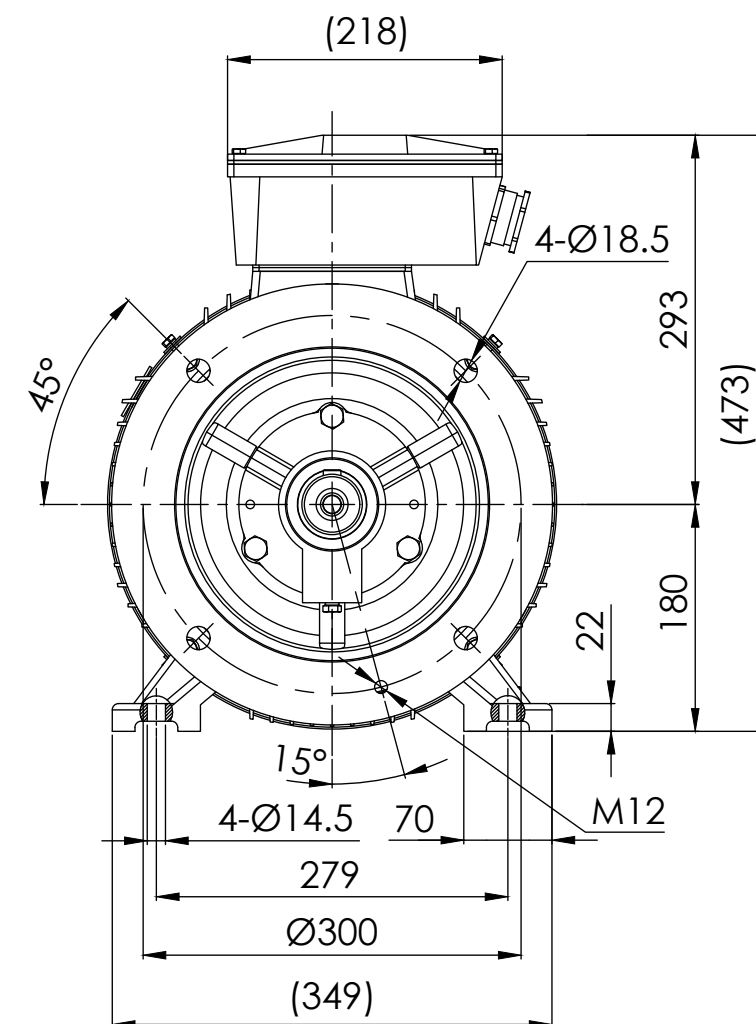
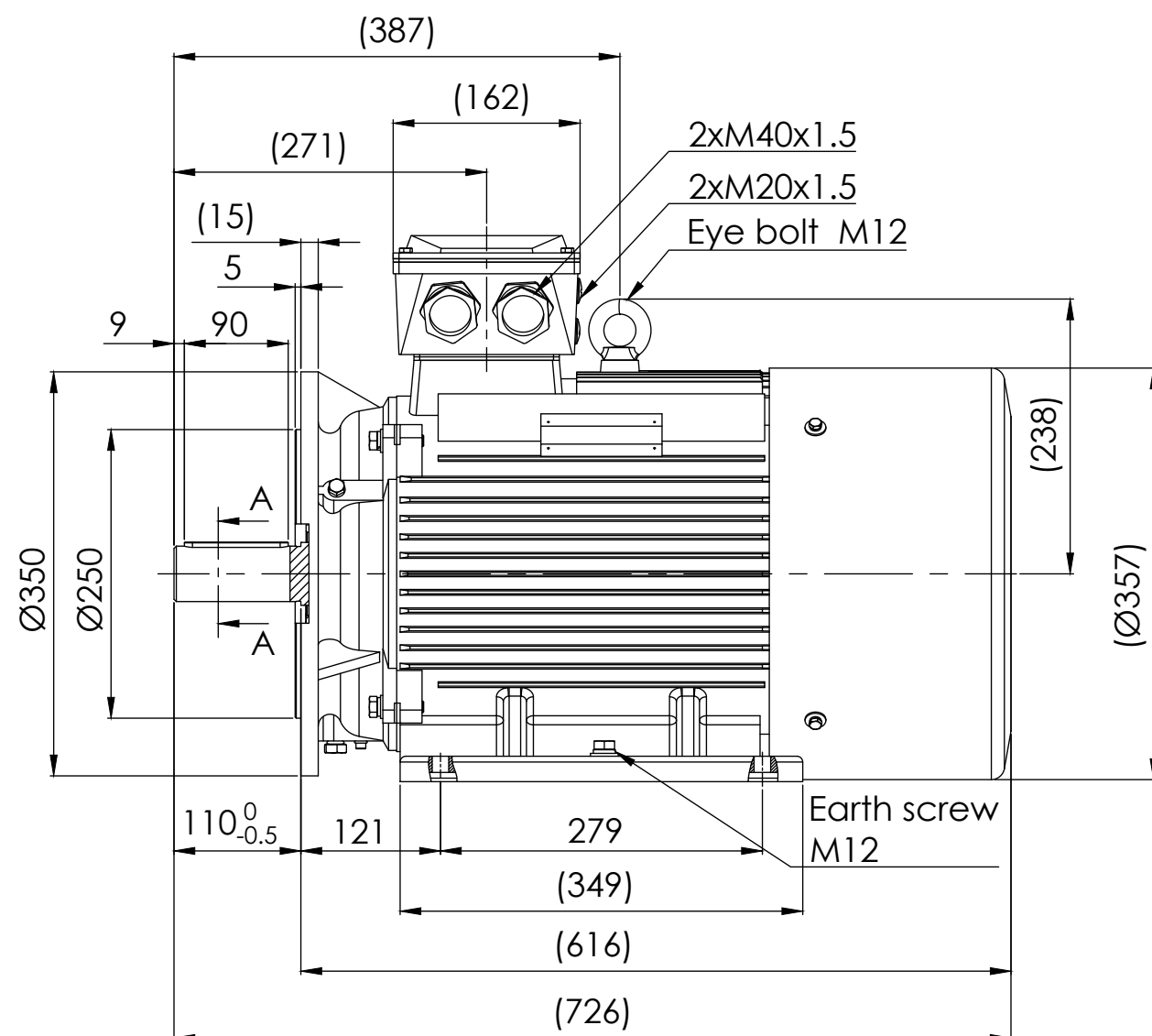
6

7

8



SECTION A-A
SCALE 3 : 1



Note:

- All dimensions are in mm
- Tolerances not informed on the drawing according to the mounting tolerance table.

| Mounting tolerance | | Hoyer Motors | | DEBUR AND BREAK SHARP EDGES | | DRAWING NOT IN SCALE | |
|---|-----------|-------------------------|----------|--------------------------------------|------------|----------------------|----------|
| Dimensions range | Tolerance | Hoyer Motors | | Over Hadstenevej 42, DK-8370 Hadsten | | OUTLINE DRAWING | |
| 0<D≤400 | ±10 | Tel : +45 86982111 | | Fax: +45 86981779 | | TITLE: | |
| 400<D≤1000 | ±20 | www.hoyermotors.com | | www.hoyermotors.com | | HMC2-180L-4p-B35 | |
| 1000<D≤2000 | ±30 | REV. | LOCATION | DESCRIPTION | DATE | RESP. | APPROVED |
| 2000<D≤4000 | ±35 | 0 | N/A | First issued | 20/06/2024 | L&T | Hoyer |
| 4000<D≤8000 | ±40 | | | | | | |
| Unit: mm | | | | | | | |
| Representation of the machine is illustrative only | | Protection: IEC 60034-5 | | Machined Part: ISO 2768 | | DWG NO.: | |
| Some features may not be represented | | Dimension: IEC 60072 | | Weld Constr: ISO 8015 | | TD-ID-D70011 | |
| For installation or maintenance, consult operation manual | | Tolerance: ISO 286 | | Castings: ISO 8062 | | A3 | |
| Key: IEC 60072 | | | | | | SCALE:1:10 | |
| | | | | | | Weight: 195 kg | |
| | | | | | | SHEET 1 OF 1 | |