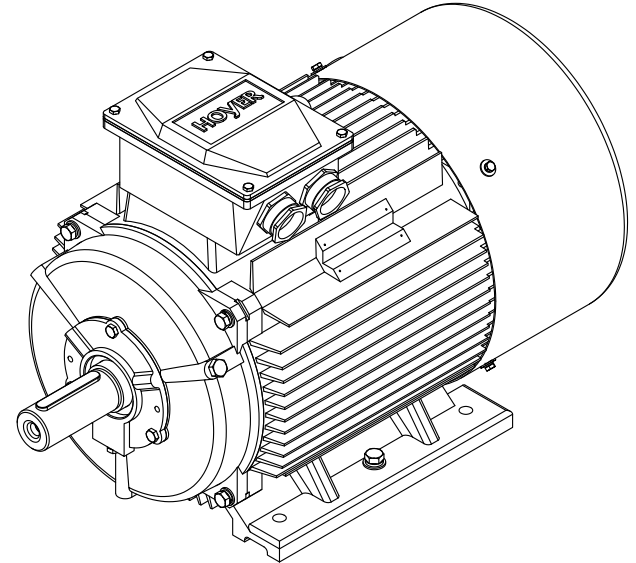
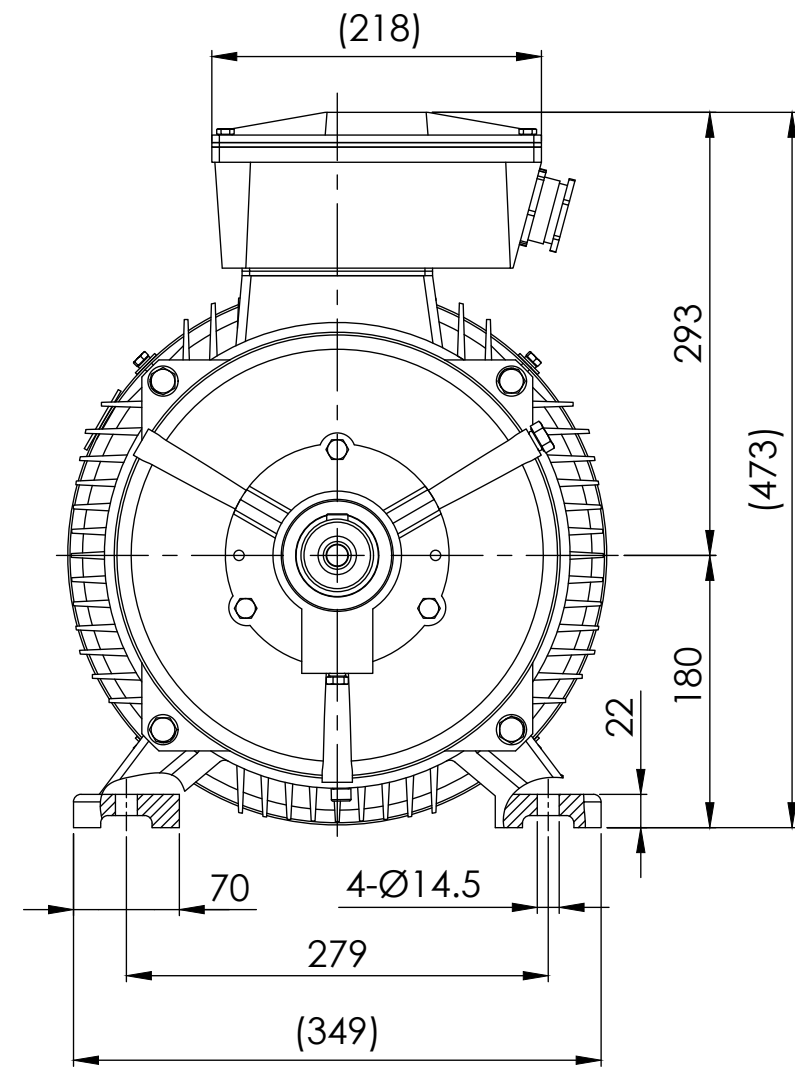
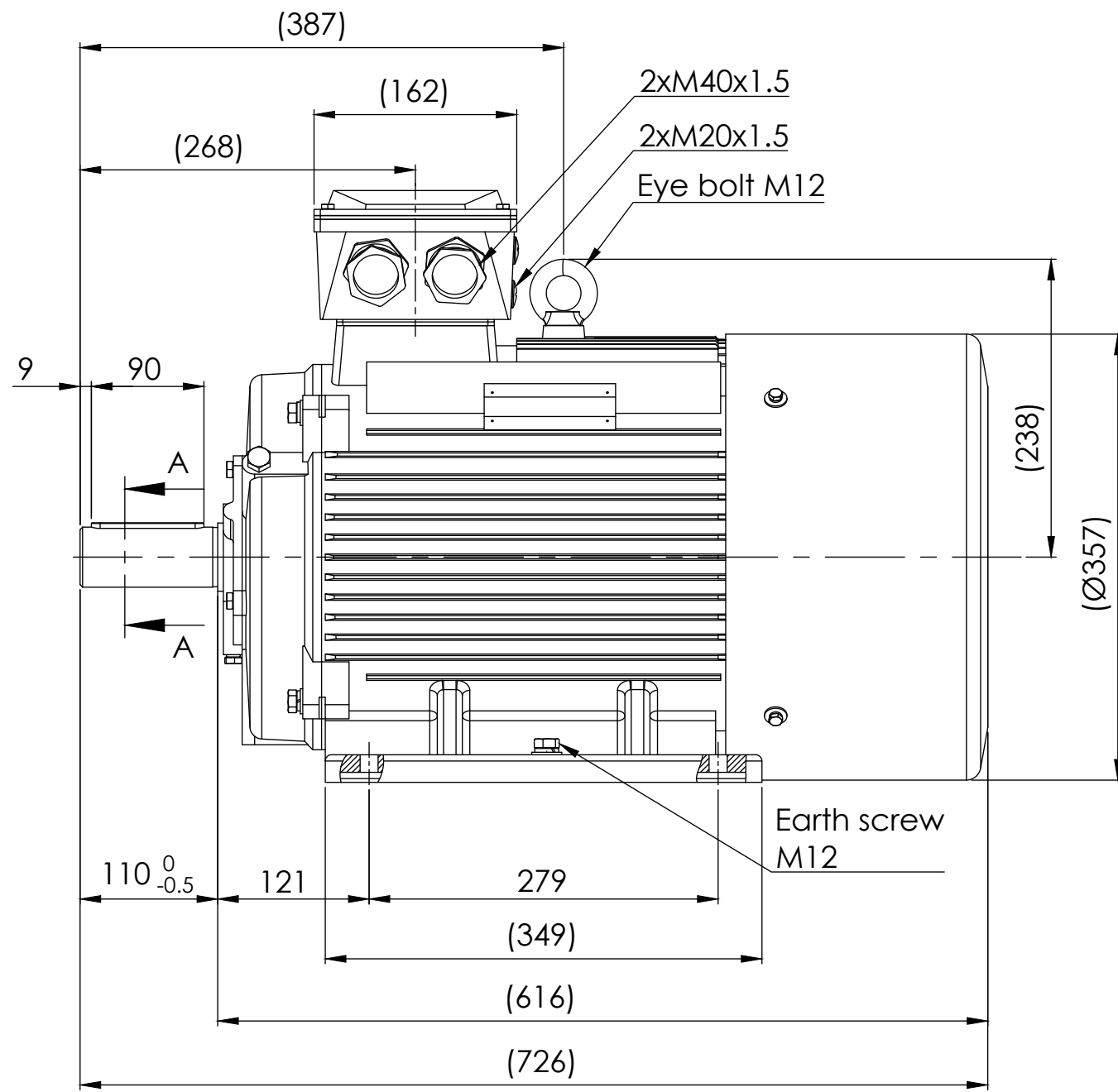



SECTION A-A
SCALE 1 : 2



Note:

- 1.All dimensions are in mm
- 2.Tolerances not informed on the drawing according to the mounting tolerance table.

Mounting tolerance		 <p>HOYER EXCEEDING EXPECTATIONS</p>	Hoyer Motors		DEBUR AND BREAK SHARP EDGES		DRAWING NOT IN SCALE	
Dimensions range	Tolerance		Over Hadstenevej 42, DK-8370 Hadsten				OUTLINE DRAWING	
0<D≤400	±10		Tel : +45 86982111				TITLE:	
400<D≤1000	±20		Fax: +45 86981779				HMC2-180L-2p-B3	
1000<D≤2000	±30		www.hoyermotors.com				DWG NO.:	
2000<D≤4000	±35	REV.	LOCATION	DESCRIPTION	DATE	RESP.	APPROVED	TD-ID-D2790
4000<D≤8000	±40	0	N/A	First issued	02/09/2024	L&T	Hoyer	
Unit: mm		Representation of the machine is illustrative only		Protection:	IEC 60034-5	Machined Part:	ISO 2768	SCALE:1:10
		Some features may not be represented		Dimension:	IEC 60072	Weld Constr:	ISO 8015	
		For installation or maintenance, consult operation manual		Tolerance:	ISO 286	Castings:	ISO 8062	SHEET 1 OF 1
				Key:	IEC 60072			

