

1

2

3

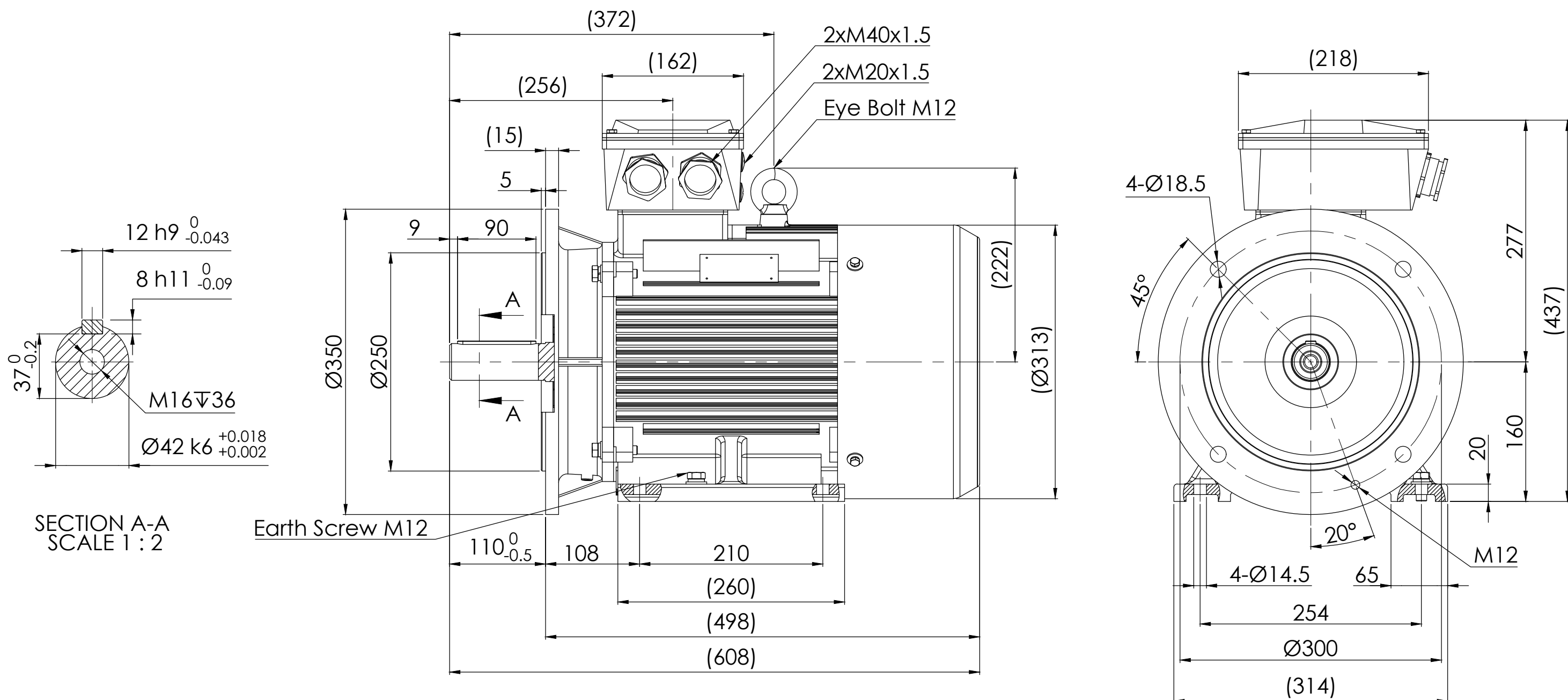
4

5

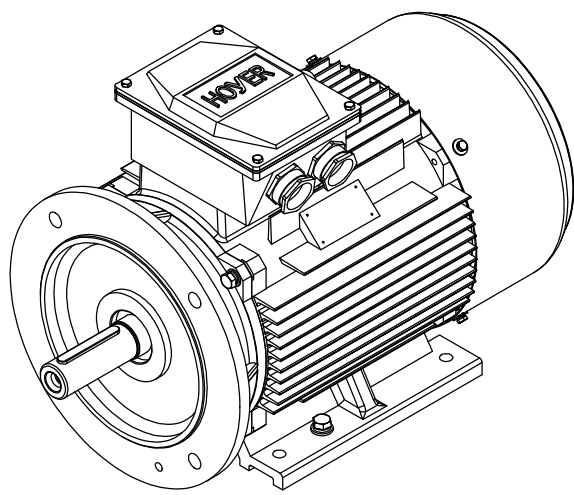
6

7

8



SECTION A-A
SCALE 1:2



Note:

- All dimensions are in mm
- Tolerances not informed on the drawing according to the mounting tolerance table.

Mounting tolerance		HOYER EXCEEDING EXPECTATIONS		Hoyer Motors Over Hadstenevej 42, DK-8370 Hadsten Tel : +45 86982111 Fax: +45 86981779 www.hoyermotors.com				DEBUR AND BREAK SHARP EDGES	DRAWING NOT IN SCALE	
Dimensions range	Tolerance	REV.	LOCATION	DESCRIPTION	DATE	RESP.	APPROVED	OUTLINE DRAWING		
0<D≤400	±10	0	N/A	First issued	14/06/2024	L&T	Hoyer	TITLE: HMC2-160M2-2p-B35		
400<D≤1000	±20							DWG NO.: TD-ID-D2216 A3		
1000<D≤2000	±30							SCALE:1:5 Weight: 119 kg SHEET 1 OF 1		
2000<D≤4000	±35									
4000<D≤8000	±40									
Unit: mm										
Representation of the machine is illustrative only				Protection: IEC 60034-5		Machined Part: ISO 2768				
Some features may not be represented				Dimension: IEC 60072		Weld Constr: ISO 8015				
For installation or maintenance, consult operation manual				Tolerance: ISO 286		Castings: ISO 8062				
				Key: IEC 60072						

