

1

2

3

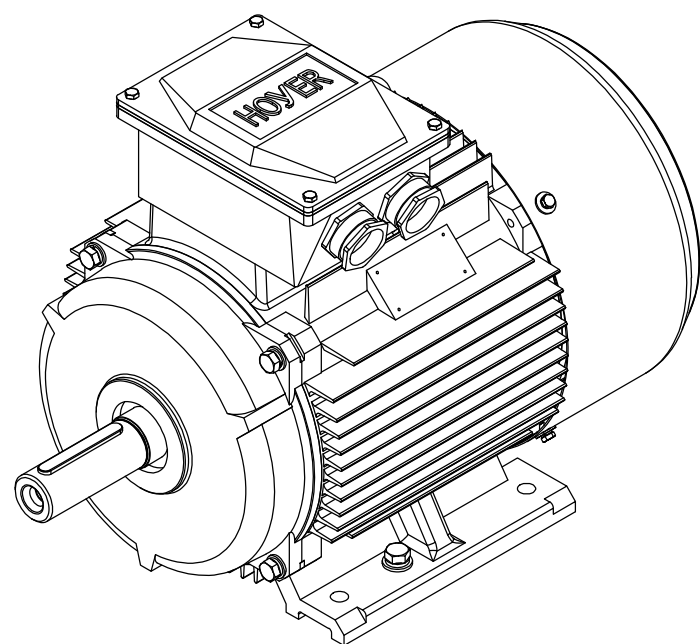
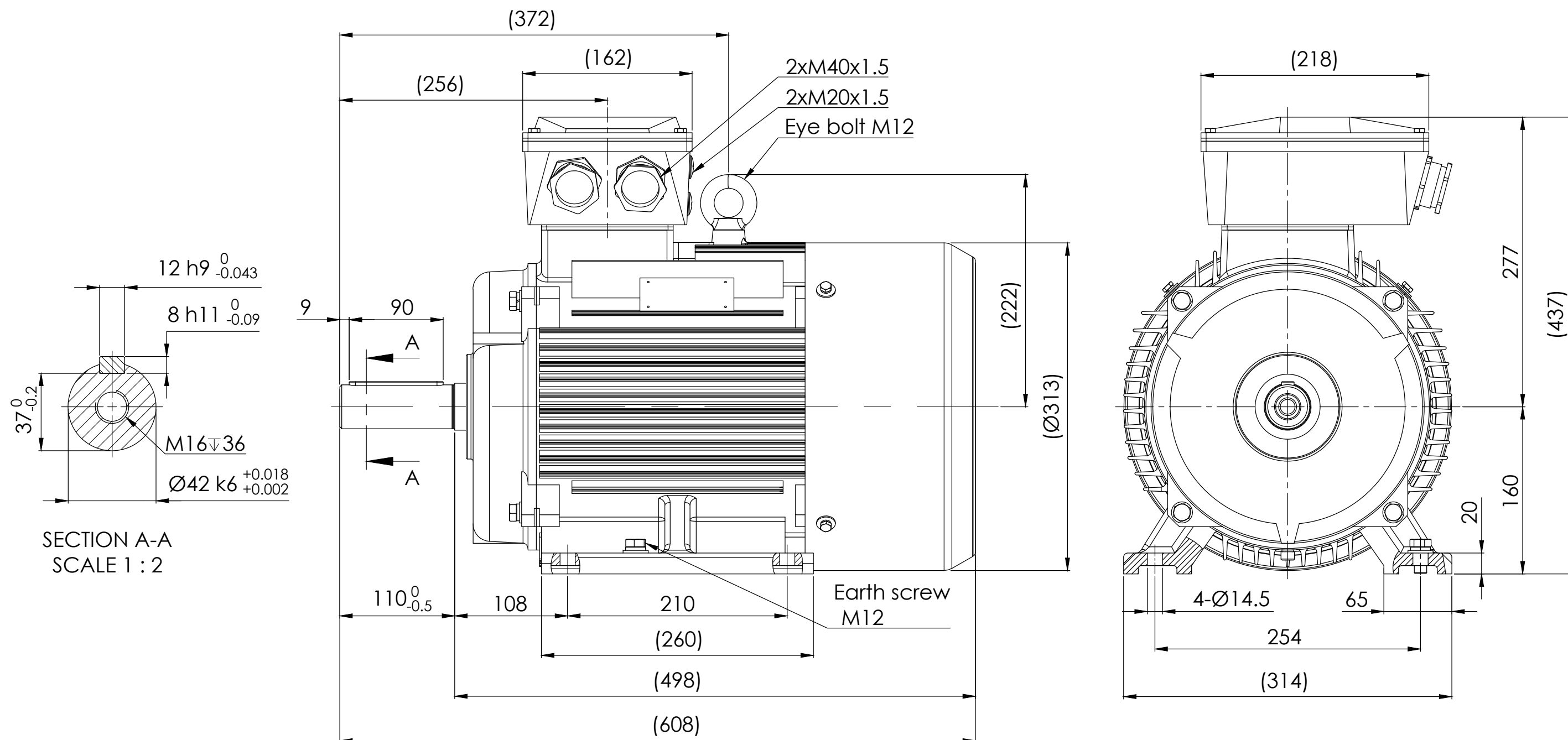
4

5

6

7



8



**Note:**

1. All dimensions are in mm

2. Tolerances not informed on the drawing according to the mounting tolerance table.

Mounting tolerance		Hoyer Motors		DEBUR AND BREAK SHARP EDGES		DRAWING NOT IN SCALE	
Dimensions range	Tolerance			Hoyer Motors Over Hadstenevej 42, DK-8370 Hadsten Tel : +45 86982111 Fax: +45 86981779 www.hoyermotors.com		<b>OUTLINE DRAWING</b>	
0<D≤400	±10	REV.	LOCATION	DESCRIPTION	DATE	RESP.	APPROVED
400<D≤1000	±20	0	N/A	First issued	13/06/2024	L&T	Hoyer
1000<D≤2000	±30						
2000<D≤4000	±35						
4000<D≤8000	±40						
Unit: mm							
 Representation of the machine is illustrative only Some features may not be represented For installation or maintenance, consult operation manual		Protection: IEC 60034-5 Dimension: IEC 60072 Tolerance: ISO 286 Key: IEC 60072		Machined Part: ISO 2768 Weld Constr: ISO 8015 Castings: ISO 8062		<b>TITLE:</b> <b>HMC2-160M1-2p-B3</b>	
				<b>DWG NO.:</b> <b>TD-ID-D70000</b>		<b>A3</b>	
				<b>SCALE:</b> 1:5		<b>Weight:</b> 100 kg	
						<b>SHEET 1 OF 1</b>	