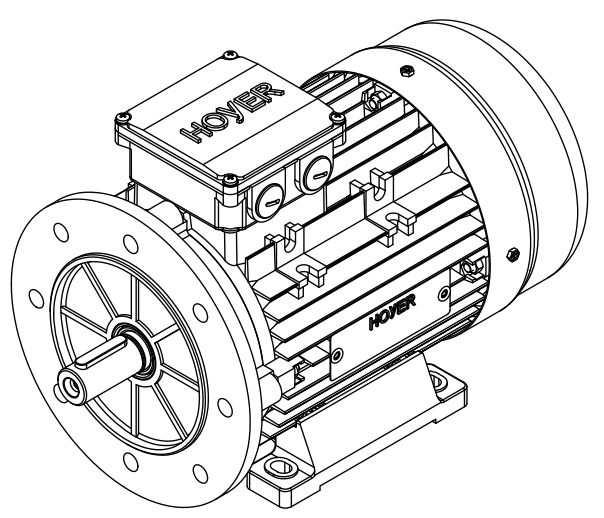
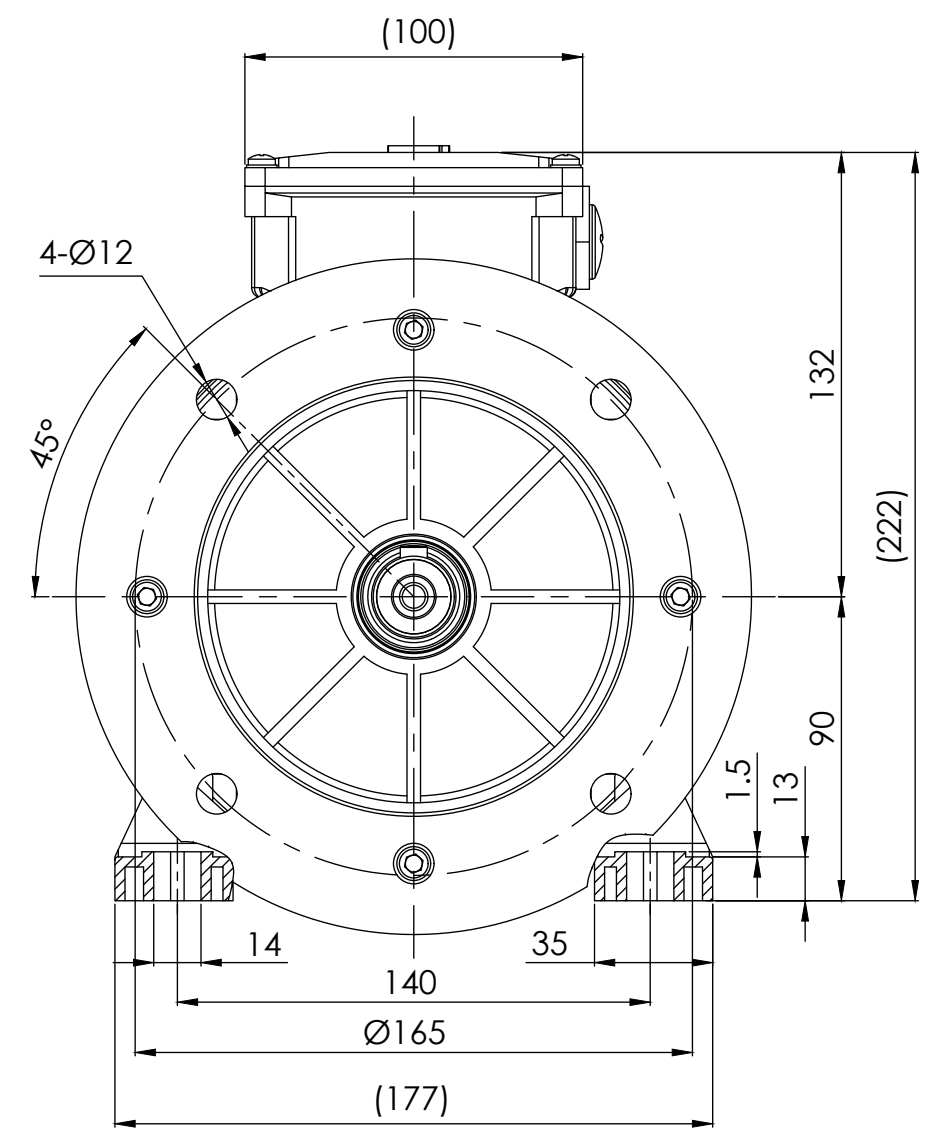
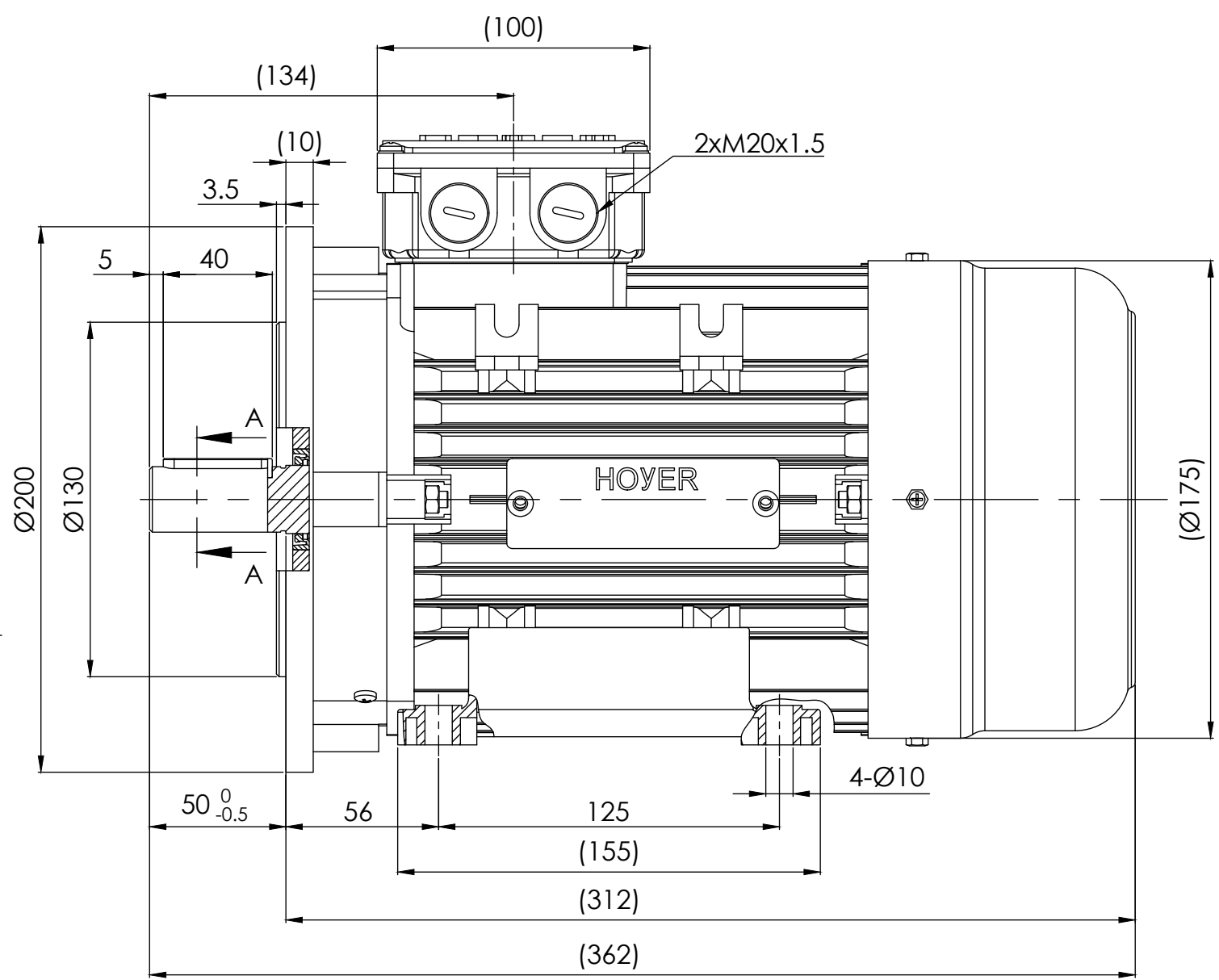




SECTION A-A
SCALE 1:1



Note:

- 1.All dimensions are in mm
- 2.Tolerances not informed on the drawing according to the mounting tolerance table.

Mounting tolerance		 <p>Hoyer Motors Over Hadstenvej 42, DK-8370 Hadsten Tel : +45 86982111 Fax: +45 86981779 www.hoyermotors.com</p>	DEBUR AND BREAK SHARP EDGES		DRAWING NOT IN SCALE				
Dimensions range	Tolerance				OUTLINE DRAWING				
0<D≤400	±10		REV.	LOCATION	DESCRIPTION	DATE	RESP.	APPROVED	TITLE: HMA2-90L-6p-B35
400<D≤1000	±20		0	N/A	First issued	09/08/2024	L&T	Hoyer	
1000<D≤2000	±30								
2000<D≤4000	±35								
4000<D≤8000	±40								
Unit: mm									
 <p>Representation of the machine is illustrative only Some features may not be represented For installation or maintenance, consult operation manual</p>		Protection:	IEC 60034-5	Machined Part:	ISO 2768	DWG NO.:		TD-ID-D2647 A3	
		Dimension:	IEC 60072	Weld Constr:	ISO 8015	SCALE:1:5			Weight: 21 kg SHEET 1 OF 1
		Tolerance:	ISO 286	Castings:	ISO 8062				
		Key:	IEC 60072						