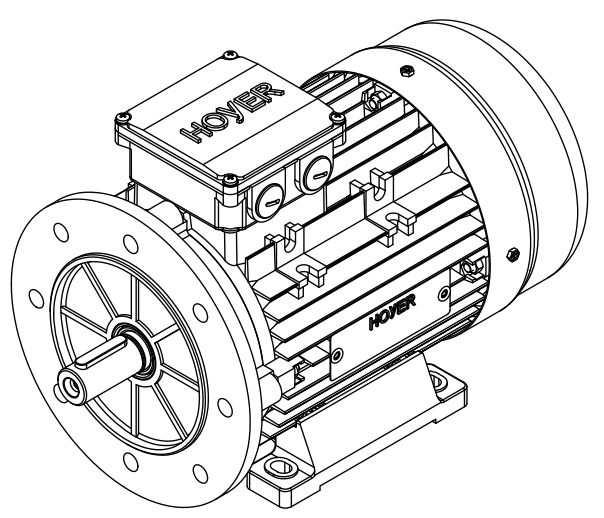
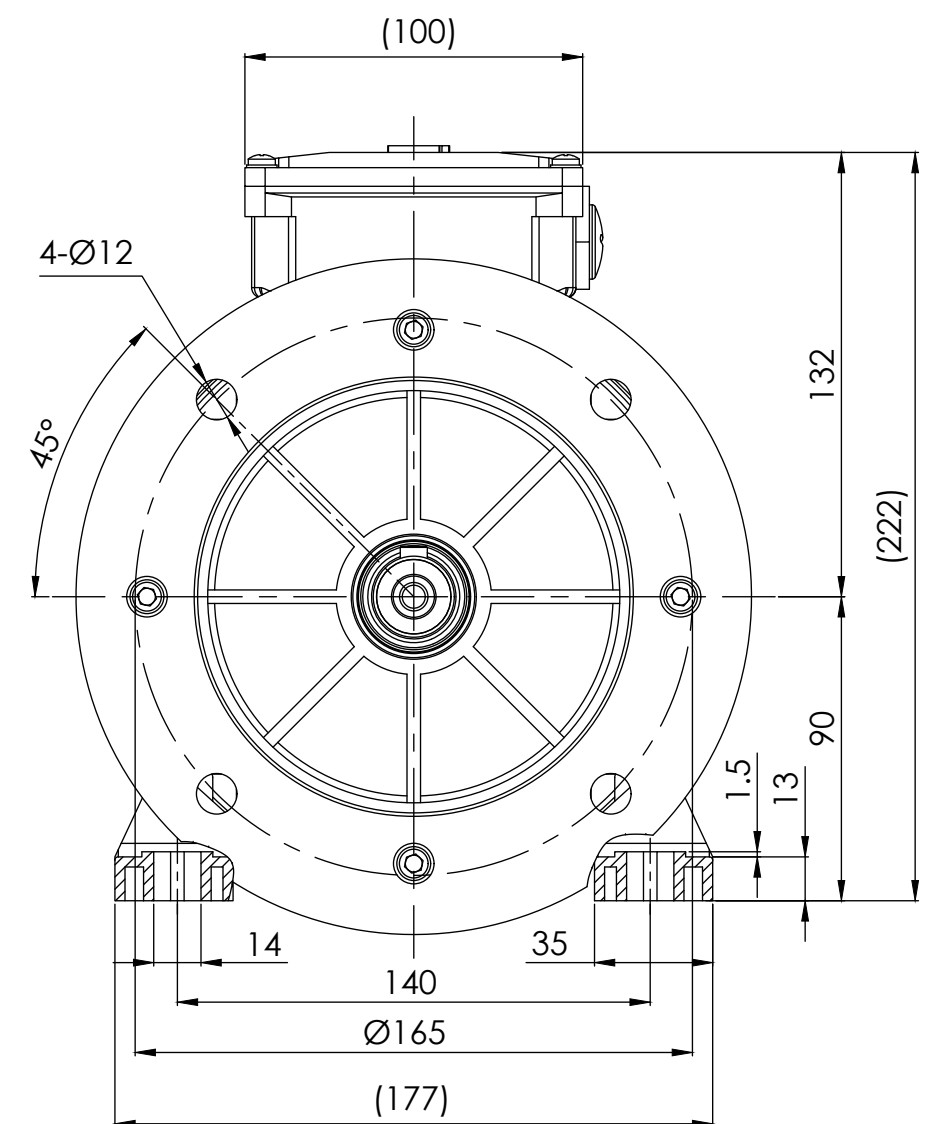
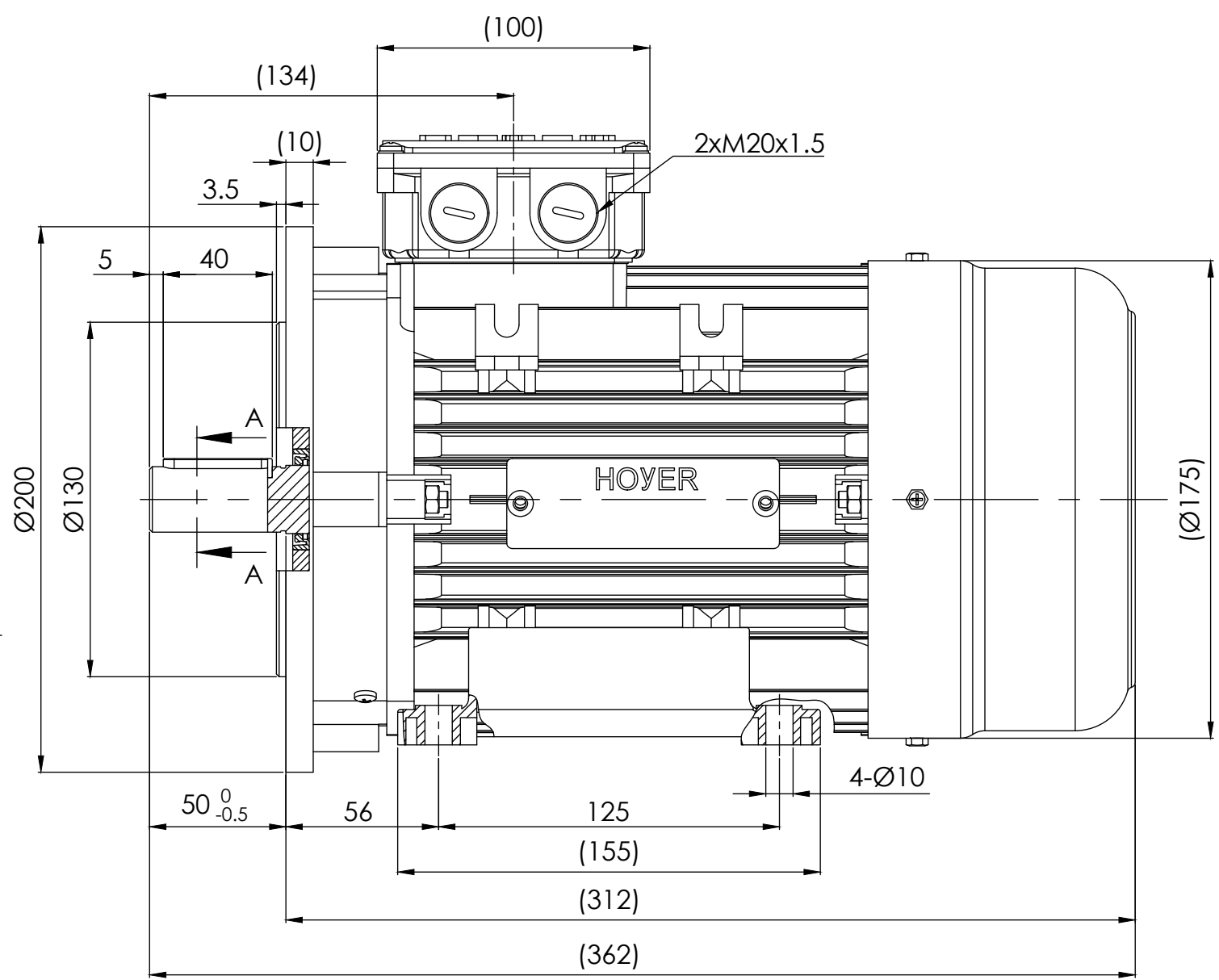




SECTION A-A
SCALE 1:1



Note:

- 1.All dimensions are in mm
- 2.Tolerances not informed on the drawing according to the mounting tolerance table.

Mounting tolerance		 <p>HOYER EXCEEDING EXPECTATIONS</p>	Hoyer Motors				DEBUR AND BREAK SHARP EDGES	DRAWING NOT IN SCALE		
Dimensions range	Tolerance		Over Hadstenvej 42, DK-8370 Hadsten					OUTLINE DRAWING		
0<D≤400	±10		REV.	LOCATION	DESCRIPTION	DATE		RESP.	APPROVED	TITLE: HMA2-90L-4p-B35
400<D≤1000	±20		0	N/A	First issued	09/08/2024		L&T	Hoyer	
1000<D≤2000	±30									
2000<D≤4000	±35									
4000<D≤8000	±40									
Unit: mm										
		Representation of the machine is illustrative only			Protection:	IEC 60034-5	Machined Part:	ISO 2768	DWG NO.: TD-ID-D2645	
		Some features may not be represented			Dimension:	IEC 60072	Weld Constr:	ISO 8015		
		For installation or maintenance, consult operation manual			Tolerance:	ISO 286	Castings:	ISO 8062		
					Key:	IEC 60072				
								SCALE:1:5	Weight: 18 kg	SHEET 1 OF 1