

1

2

3

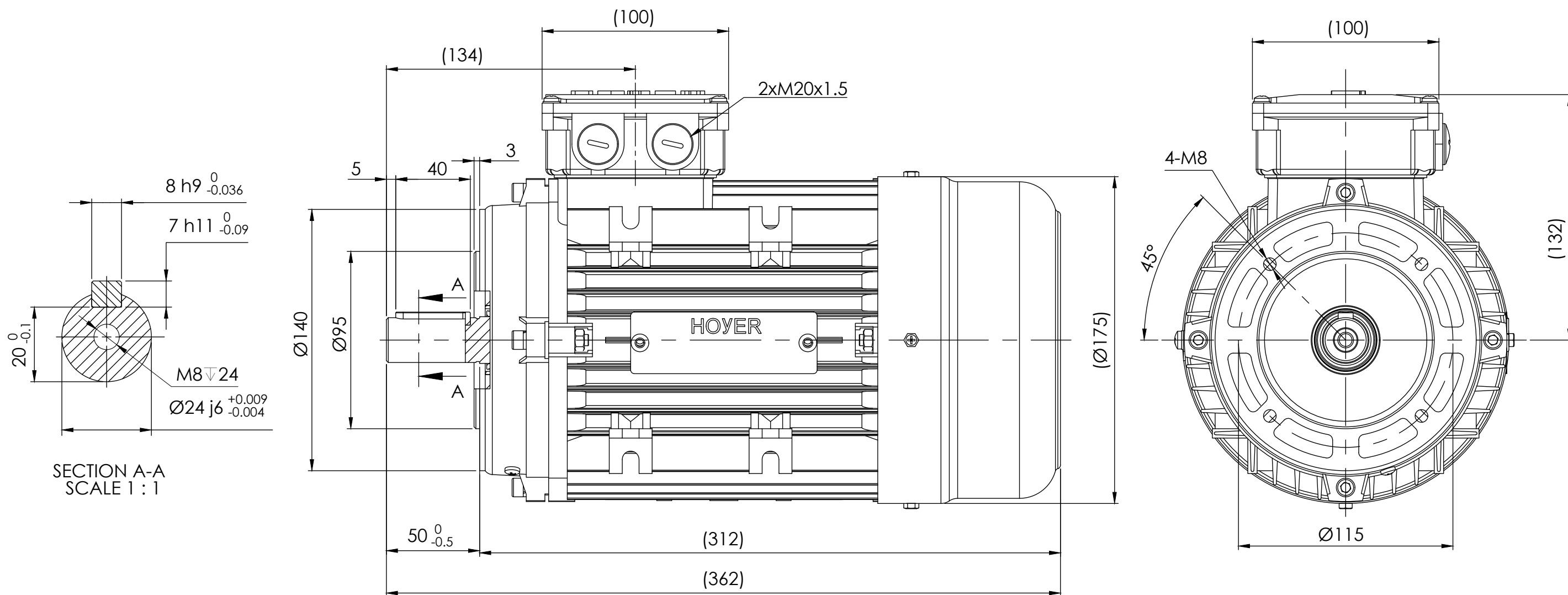
4

5

6

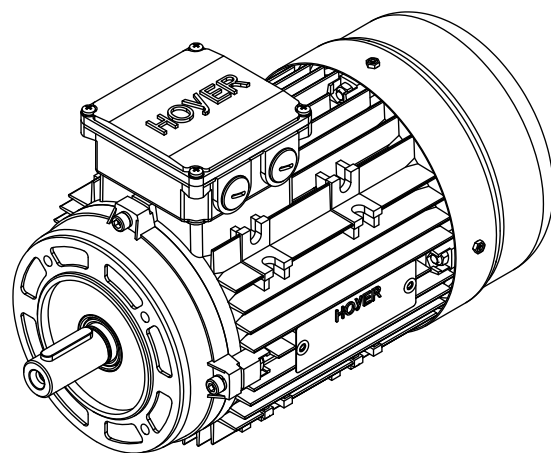
7

8



Note:

1. All dimensions are in mm
2. Tolerances not informed on the drawing according to the mounting tolerance table.



Mounting tolerance		HOYER EXCEEDING EXPECTATIONS		Hoyer Motors Over Hadstenevej 42, DK-8370 Hadsten Tel : +45 86982111 Fax: +45 86981779 www.hoyermotors.com			DEBUR AND BREAK SHARP EDGES	DRAWING NOT IN SCALE	
Dimensions range	Tolerance	REV.	LOCATION	DESCRIPTION	DATE	RESP.	APPROVED	OUTLINE DRAWING	
0<D≤400	±10	0	N/A	First issued	08/08/2024	L&T	Hoyer	TITLE: HMA2-90L-2p-B14	
400<D≤1000	±20							DWG NO.: TD-ID-D70815	
1000<D≤2000	±30							A3	
2000<D≤4000	±35							SCALE:1:5	
4000<D≤8000	±40							Weight: 17 kg	
Unit: mm								SHEET 1 OF 1	
Representation of the machine is illustrative only Some features may not be represented For installation or maintenance, consult operation manual				Protection:	IEC 60034-5	Machined Part:	ISO 2768	DWG NO.:	
				Dimension:	IEC 60072	Weld Constr:	ISO 8015	A3	
				Tolerance:	ISO 286	Castings:	ISO 8062	SCALE:1:5	
				Key:	IEC 60072			Weight: 17 kg	