

1

2

3

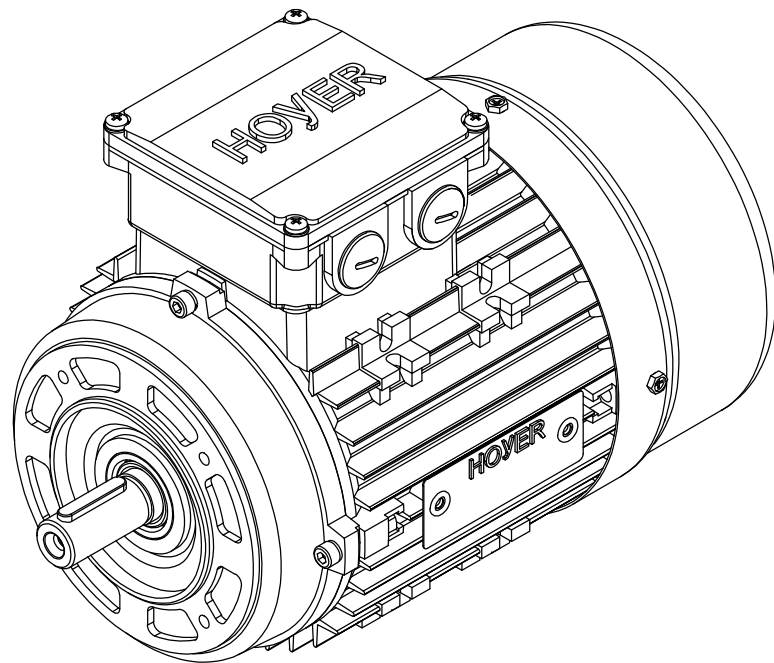
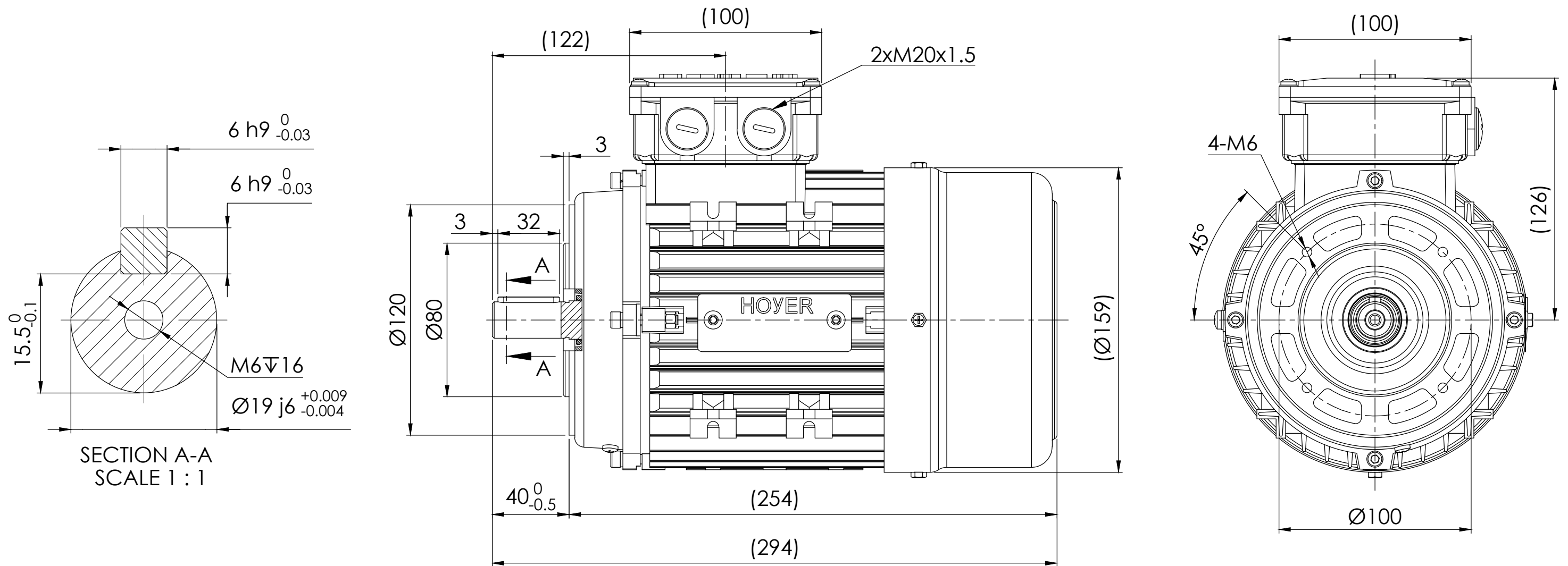
4

5

6

7

8



**Note:**

1. All dimensions are in mm

2. Tolerances not informed on the drawing according to the mounting tolerance table.

Mounting tolerance		<b>HOYER</b> EXCEEDING EXPECTATIONS		Hoyer Motors			DEBUR AND BREAK SHARP EDGES		DRAWING NOT IN SCALE		
Dimensions range	Tolerance	Over Hadstenvej 42, DK-8370 Hadsten			Tel : +45 86982111				OUTLINE DRAWING		
0<D≤400	±10	Fax: +45 86981779			www.hoyermotors.com				TITLE:		
400<D≤1000	±20	REV.	LOCATION	DESCRIPTION	DATE	RESP.	APPROVED	HMA2-80 2-6p-B14			
1000<D≤2000	±30	0	N/A	First issued	02/08/2024	L&T	Hoyer	DWG NO.:			
2000<D≤4000	±35							TD-ID-D2604			
4000<D≤8000	±40							A3			
Unit: mm											
Representation of the machine is illustrative only Some features may not be represented For installation or maintenance, consult operation manual				Protection:	IEC 60034-5	Machined Part:	ISO 2768	SCALE:1:5		Weight: 12 kg	SHEET 1 OF 1
				Dimension:	IEC 60072	Weld Constr:	ISO 8015	DWG NO.:			
				Tolerance:	ISO 286	Castings:	ISO 8062	TD-ID-D2604			
				Key:	IEC 60072						