

1 2 3 4 5 6 7 8

A

B

C

D

E

F

A

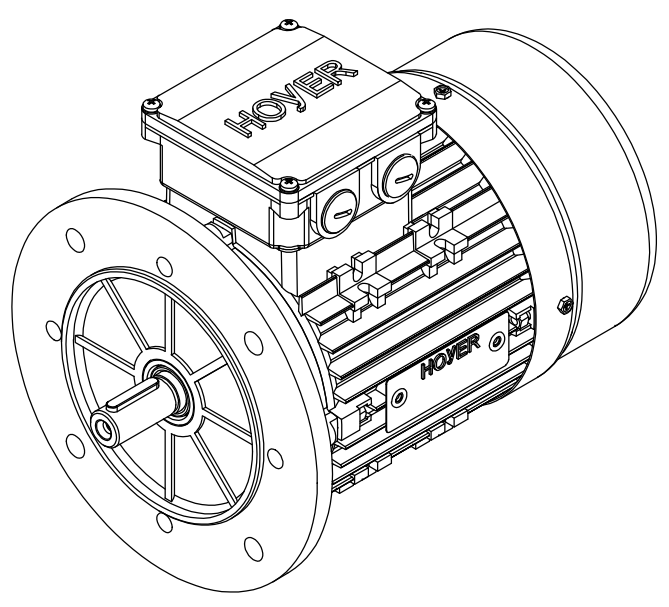
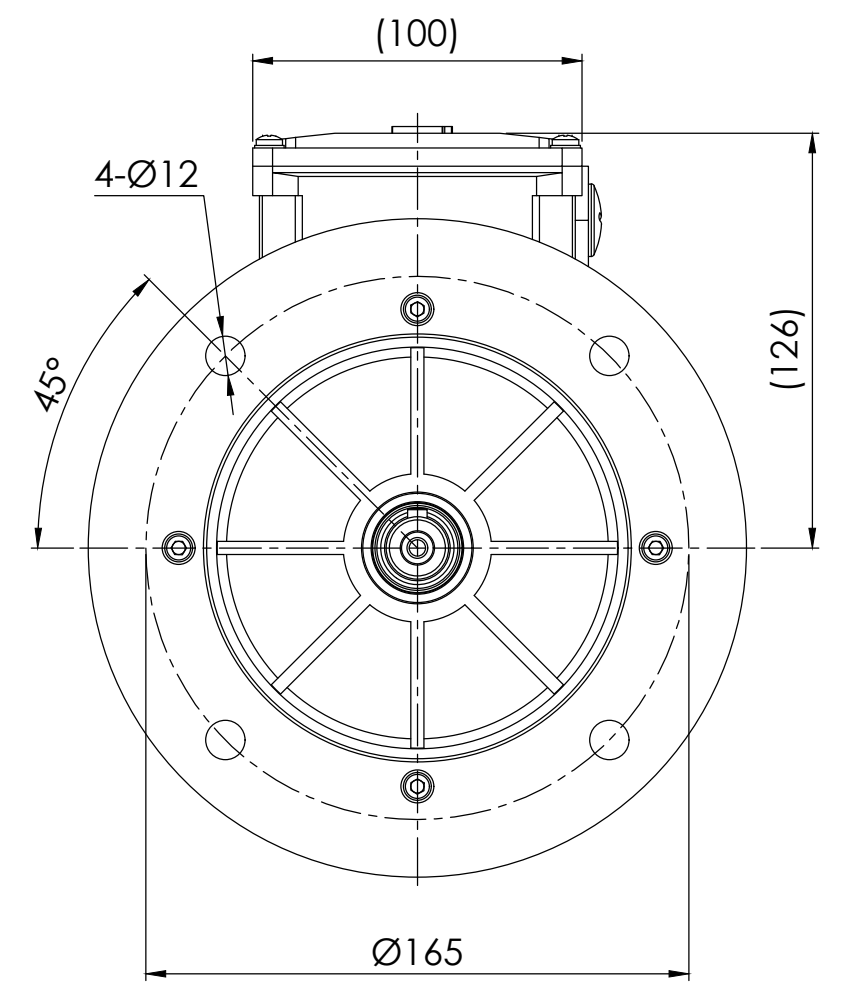
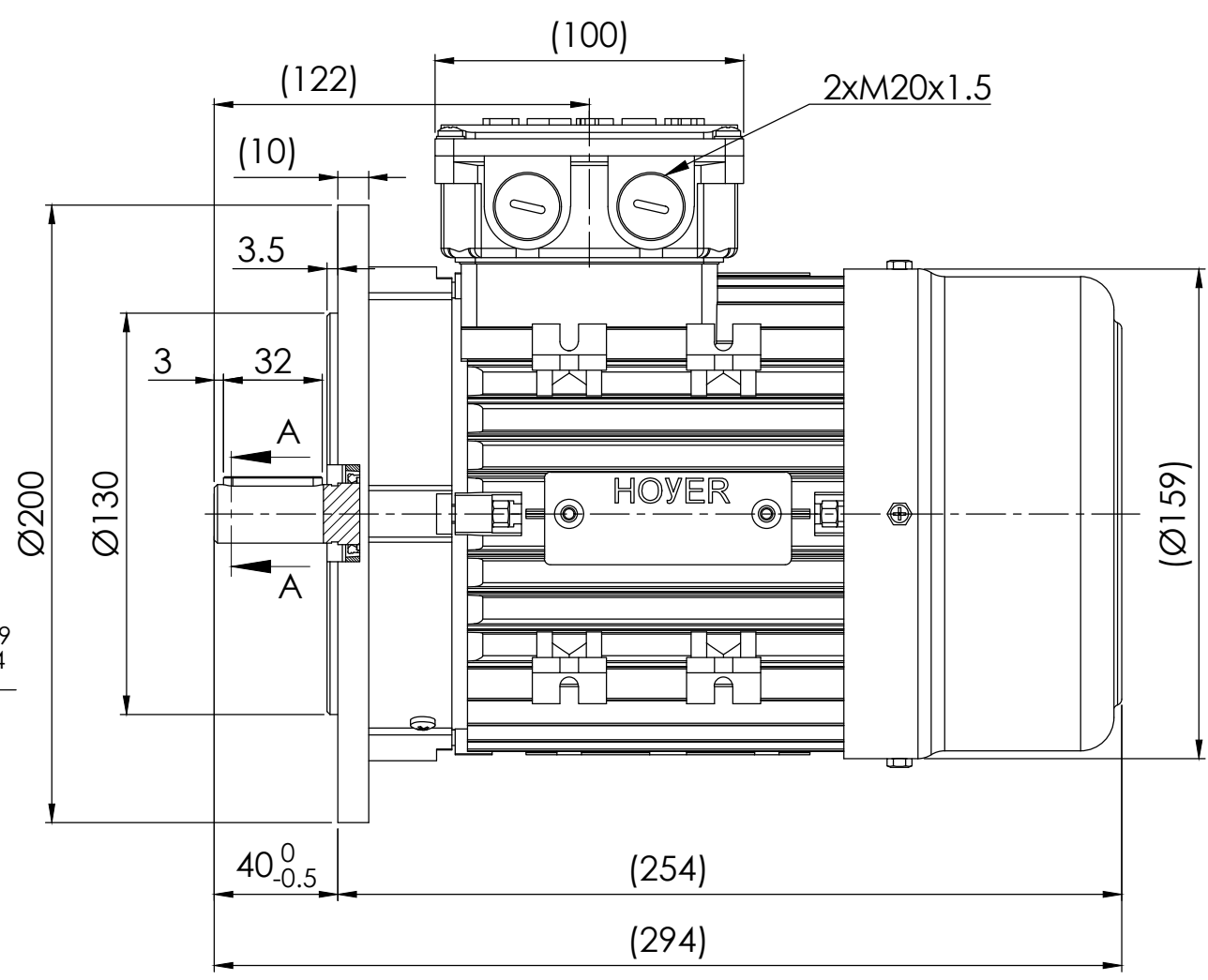
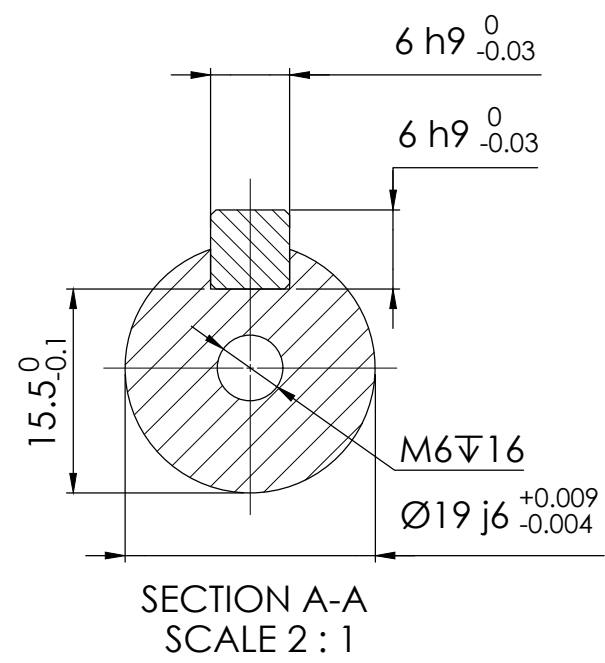
B

C



D

E

F



Note:
 1. All dimensions are in mm
 2. Tolerances not informed on the drawing according to the mounting tolerance table.

Mounting tolerance			Hoyer Motors				DEBUR AND BREAK SHARP EDGES	DRAWING NOT IN SCALE		
Dimensions range	Tolerance		Over Hadstensevej 42, DK-8370 Hadsten Tel : +45 86982111 Fax: +45 86981779 www.hoyermotors.com					OUTLINE DRAWING		
0<D≤400	±10		REV.	LOCATION	DESCRIPTION	DATE		RESP.	APPROVED	TITLE: HMA2-80 2-2p-B5
400<D≤1000	±20		0	N/A	First issued	02/08/2024		L&T	Hoyer	
1000<D≤2000	±30									
2000<D≤4000	±35									
4000<D≤8000	±40									
Unit: mm										
 Representation of the machine is illustrative only Some features may not be represented For installation or maintenance, consult operation manual		Protection:	IEC 60034-5	Machined Part:	ISO 2768	DWG NO.:		TD-ID-D2593		
		Dimension:	IEC 60072	Weld Constr:	ISO 8015	A3				
		Tolerance:	ISO 286	Castings:	ISO 8062	SCALE: 1:5				
		Key:	IEC 60072			Weight: 11 kg				
						SHEET 1 OF 1				