

1

2

3

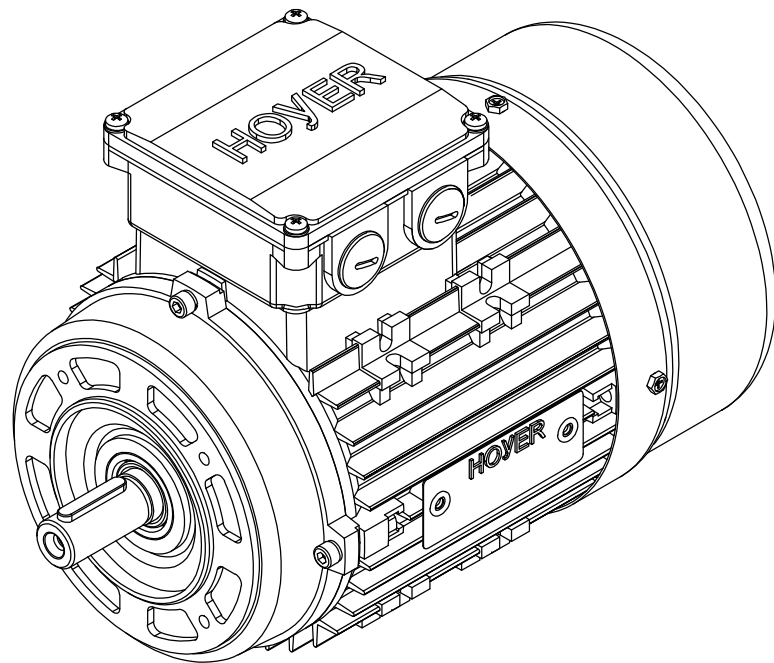
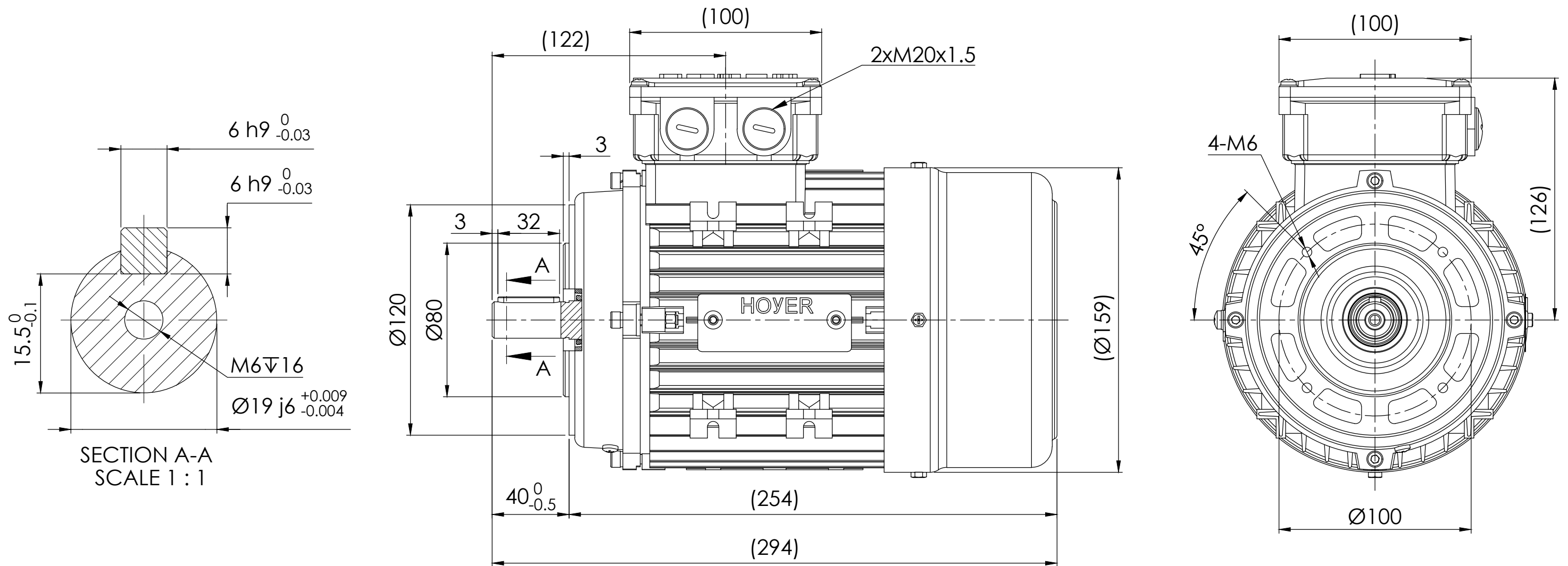
4

5

6

7

8



Note:

1. All dimensions are in mm

2. Tolerances not informed on the drawing according to the mounting tolerance table.

Mounting tolerance		HOYER EXCEEDING EXPECTATIONS		Hoyer Motors			DEBUR AND BREAK SHARP EDGES		DRAWING NOT IN SCALE	
Dimensions range	Tolerance	REV.	LOCATION	DESCRIPTION	DATE	RESP.	APPROVED	OUTLINE DRAWING		
0<D≤400	±10	0	N/A	First issued	02/08/2024	L&T	Hoyer	TITLE: HMA2-80 1-4p-B14		
400<D≤1000	±20							DWG NO.: TD-ID-D2601		
1000<D≤2000	±30							A3		
2000<D≤4000	±35							SCALE:1:5		
4000<D≤8000	±40							Weight: 10 kg		
Unit: mm								SHEET 1 OF 1		
Representation of the machine is illustrative only Some features may not be represented For installation or maintenance, consult operation manual				Protection:	IEC 60034-5	Machined Part:	ISO 2768	DWG NO.: TD-ID-D2601 A3 SCALE:1:5 Weight: 10 kg SHEET 1 OF 1		
				Dimension:	IEC 60072	Weld Constr:	ISO 8015			
				Tolerance:	ISO 286	Castings:	ISO 8062			
				Key:	IEC 60072					