

1

2

3

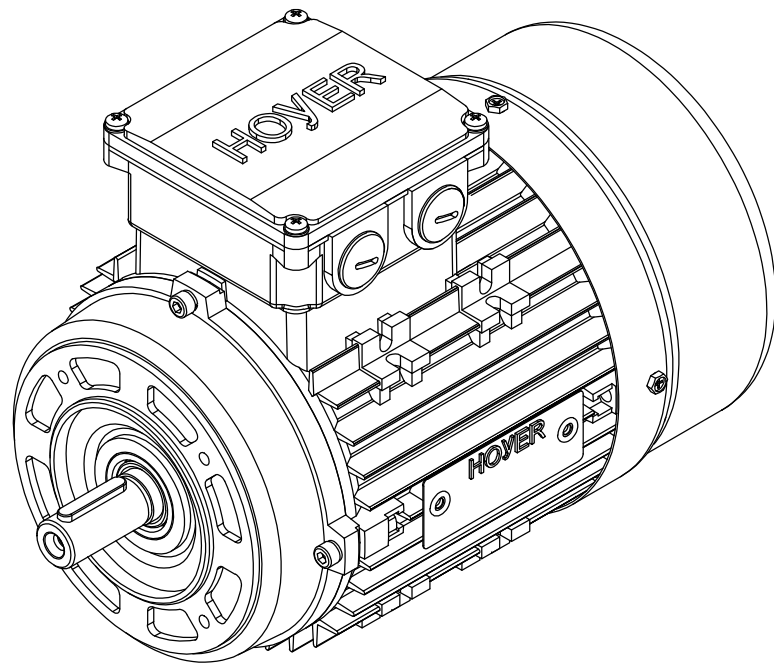
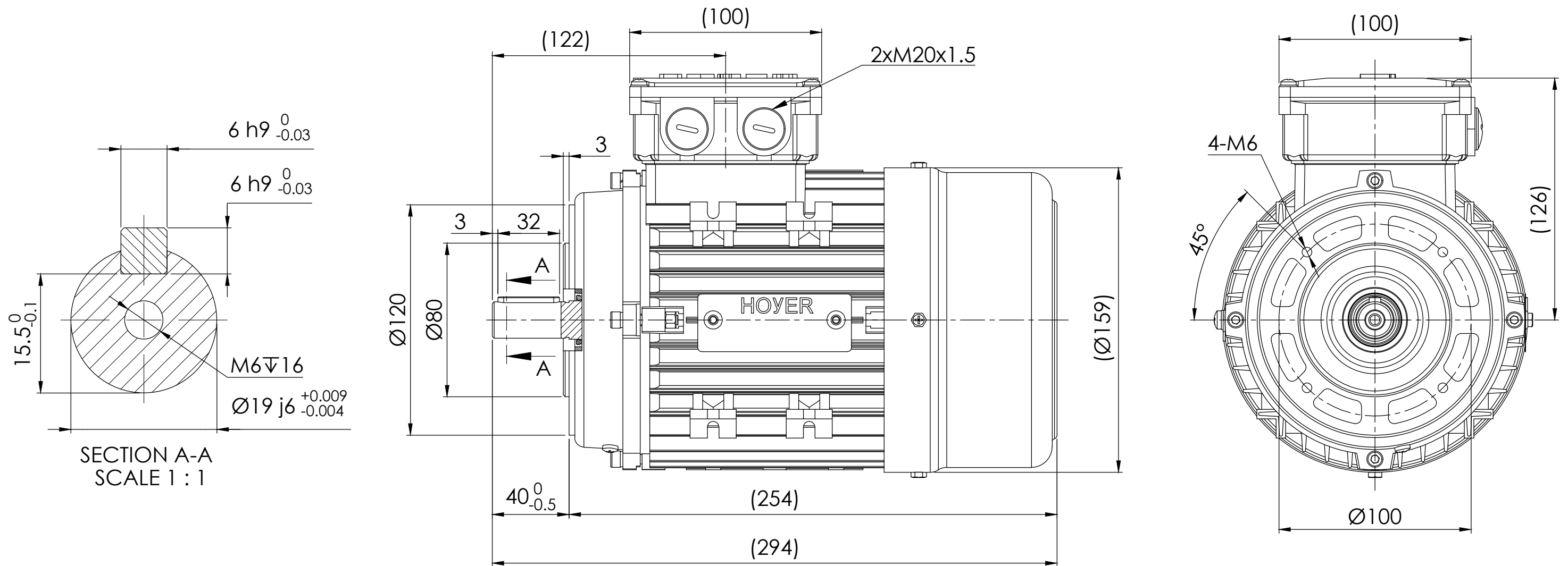
4

5

6

7

8



**Note:**

1. All dimensions are in mm

2. Tolerances not informed on the drawing according to the mounting tolerance table.

Mounting tolerance		<b>HOYER</b> EXCEEDING EXPECTATIONS		Hoyer Motors			DEBUR AND BREAK SHARP EDGES		DRAWING NOT IN SCALE	
Dimensions range	Tolerance	Over Hadstenvej 42, DK-8370 Hadsten			Tel : +45 86982111		Fax: +45 86981779		www.hoyermotors.com	
0<D≤400	±10	REV.	LOCATION	DESCRIPTION	DATE	RESP.	APPROVED	TITLE:		
400<D≤1000	±20	0	N/A	First issued	02/08/2024	L&T	Hoyer	HMA2-80 1-2p-B14		
1000<D≤2000	±30							DWG NO.:		
2000<D≤4000	±35							TD-ID-D70803		
4000<D≤8000	±40							A3		
Unit: mm		Representation of the machine is illustrative only			Protection: IEC 60034-5		Machined Part: ISO 2768		SCALE:1:5	
		Some features may not be represented			Dimension: IEC 60072		Weld Constr: ISO 8015		Weight: 9 kg	
		For installation or maintenance, consult operation manual			Tolerance: ISO 286		Castings: ISO 8062		SHEET 1 OF 1	
		Key: IEC 60072								