

1

2

3

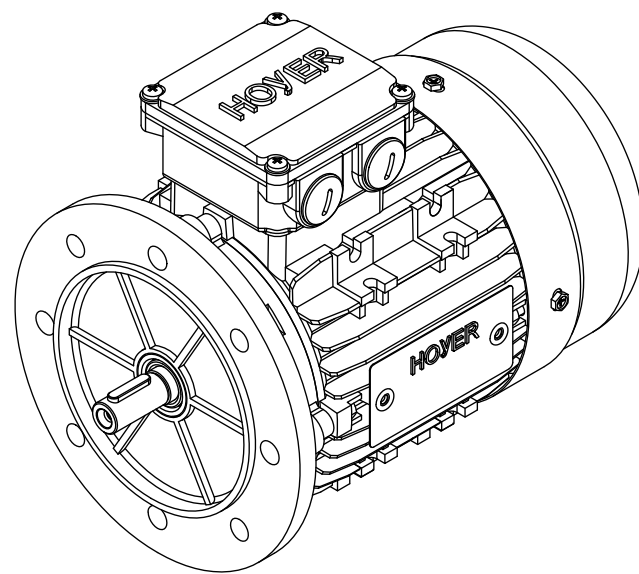
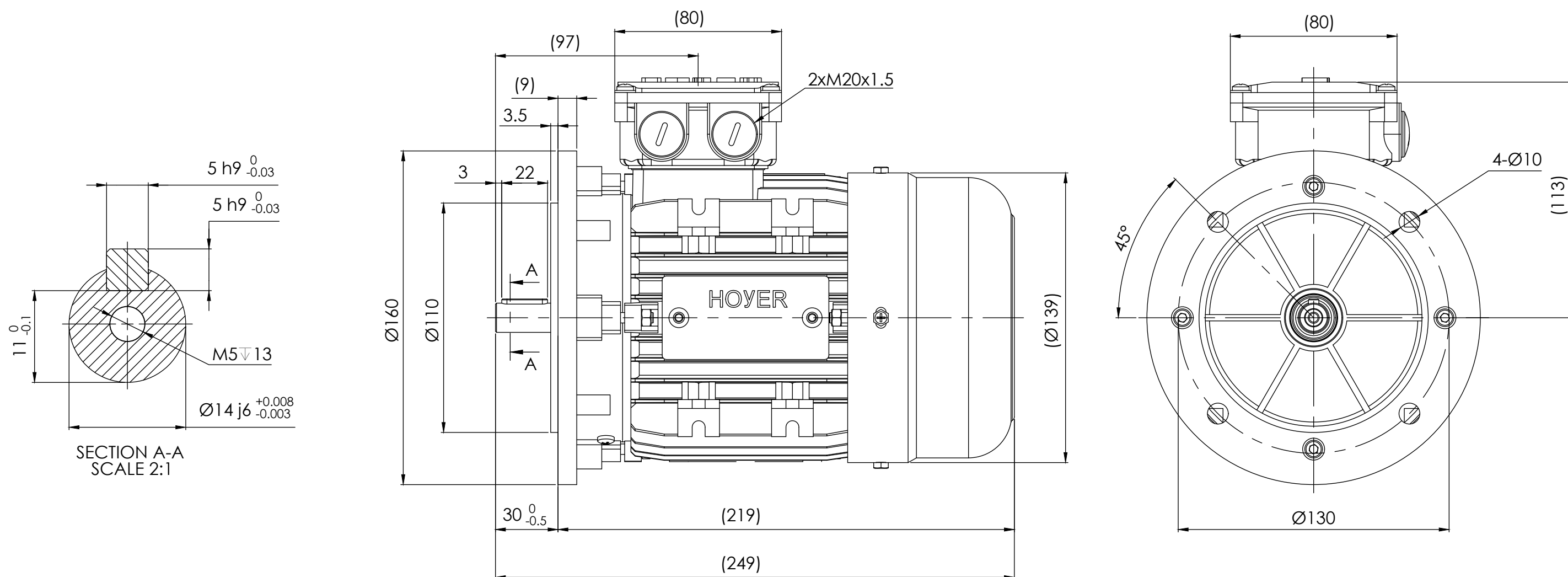
4

5

6



7

8



Note:

1. All dimensions are in mm
2. Tolerances not informed on the drawing according to the mounting tolerance table.

Mounting tolerance		Hoyer Motors		DEBUR AND BREAK SHARP EDGES		DRAWING NOT IN SCALE			
Dimensions range	Tolerance	 Hoyer Motors Over Hadstensevej 42, DK-8370 Hadsten Tel : +45 86982111 Fax: +45 86981779 www.hoyermotors.com		TITLE: <b>HMA2-71 2-6p-B5</b>		DWG NO.: <b>TD-ID-D2561</b>			
0<D≤400	±10							REV.   LOCATION   DESCRIPTION   DATE   RESP.   APPROVED	
400<D≤1000	±20							0   N/A   First issued   30/07/2024   L&T   Hoyer	
1000<D≤2000	±30								
2000<D≤4000	±35								
4000<D≤8000	±40								
Unit: mm									
 Representation of the machine is illustrative only Some features may not be represented For installation or maintenance, consult operation manual		Protection:	IEC 60034-5	Machined Part:	ISO 2768	SCALE:1:5   Weight: 6.5 kg   SHEET 1 OF 1			
		Dimension:	IEC 60072	Weld Constr:	ISO 8015				
		Tolerance:	ISO 286	Castings:	ISO 8062				
		Key:	IEC 60072						