

# Data sheet

**Item no. / Configuration** 01 / 2104225-37.0-010202-S-A01625  
**Description** HMC2-225S-4 400/690 V 50 Hz 37 kW

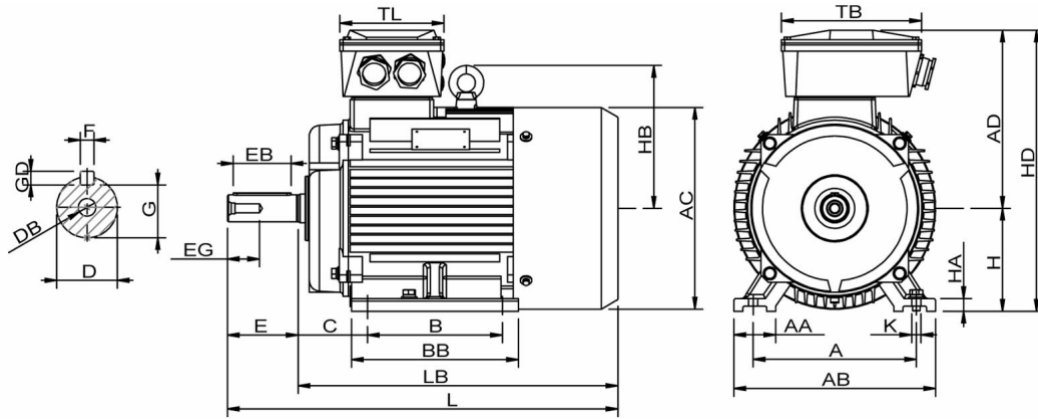
General data		Mechanical data	
Standard series	IEC 60034	Frame / Shaft height	IEC 225
Type	HMC2 225S-4	Type of construction	B3
Design	400 VD / 690 VY 50 Hz + 480 VD / 830 VY 60 Hz	Cooling method	IC411
Direction of rotation	CW	Protection class	IP55
Installation max. altitude (m)	1.000	Temp. insulation class	F
Poles	4	Frame material	Cast iron
<b>Motor protection</b>		Keyway	Closed
Winding temp. detector	No	Balancing	Half key
Temp. detector type	None	IEC vibration class	A
Bearing detector	No	Weight (kg)	300
Winding PTC main	PTC 3 x 155°C	Bearing (DE)	6313 2Z / C3 / DGBB
Winding PTC spare	None	Bearing (NDE)	6312 2Z / C3 / DGBB
Space heater	230 V 80 W	Fixed bearing	DE
Terminal board thread	M8	Moment of inertia (kg×m <sup>2</sup> )	1
Electrical insulation	Standard (1350 V @ 0.8 μs)	Painting (color)	RAL 9005
Tropical insulation	Yes	Corrosion protection	C3L
SPM	N/A	Main terminal box pos.	DE top
External grounding	Yes	Main cable entries	Cable gland 2xM50x1.5 Ø32-38 mm
Drain hole	Yes	Main cable direction	Right from DE
Rain cap	No	Main cable material	Nickel plated brass
<b>Classification</b>		Aux. cable entries	Blind cap 2xM20x1.5
Class society		Aux. cable direction	NDE
Shaft requirement acc. to	None	Aux. cable material	Nickel plated brass
Ex. code	No		

Winding operation variants				
Rated power (kW)	37	35.9	43.1	
Frequency (Hz)	50	50	60	
Connection	D/Y	D/Y	D/Y	
Voltage (V)	400 / 690	380 / 660	440 / 762	
Full load current (A)	64.2 / 37.1	70.1 / 40.5	68.2 / 39.3	
No load current (A)	20.1	23.44	26.1	
Speed (rpm)	1484	1484	1781	
Power factor 100/75/50 (%)	0.89 / 0.87 / 0.8	0.9 / 0.88 / 0.81	0.89 / 0.87 / 0.8	
Efficiency 100/75/50 (%)	92.7 / 93.2 / 92.7	92.7 / 93.2 / 92.7	92.7 / 93.2 / 92.7	
Efficiency class	IE2	IE2	IE1	
Full load torque (Nm)	238	231	231	
Tst/Tn	2.28	2.09	2.28	
Tmax/Tn	3.12	2.86	3.12	
Ist/In	7	6.2	7.21	
Temp. rise class	B	F	F	
Duty	S1	S1	S1	
Sound pressure level (dBA)	68.1	68.1	73.1	
Min. ambient temp. (°C)	-20°C	-20°C	-20°C	
Max. ambient temp. (°C)	40°C	45°C	45°C	

Data are not binding. Hoyer reserves the right to implement changes without notice. The extent of data are not equivalent to nameplate on the motors.

# Data sheet

**Item no. / Configuration** 01 / 2104225-37.0-010202-S-A01625  
**Description** HMC2-225S-4 400/690 V 50 Hz 37 kW



A 356.00	AA 75.00	AB 431.00	AC 445.00	AD 336.00	B 286.00	BB 368.00	C 149.00	D 60.00	DB 20.00	E 140.00	EB 110.00	EG 56.00	F 18.00	G 53.00	GD 11.00
H 225.00	HA 28.00	HB 286.00	HD 561.00	K 18.50	L 807.00	LB 667.00	TB 260.00	TL 192.00							